

**POOLPAK**

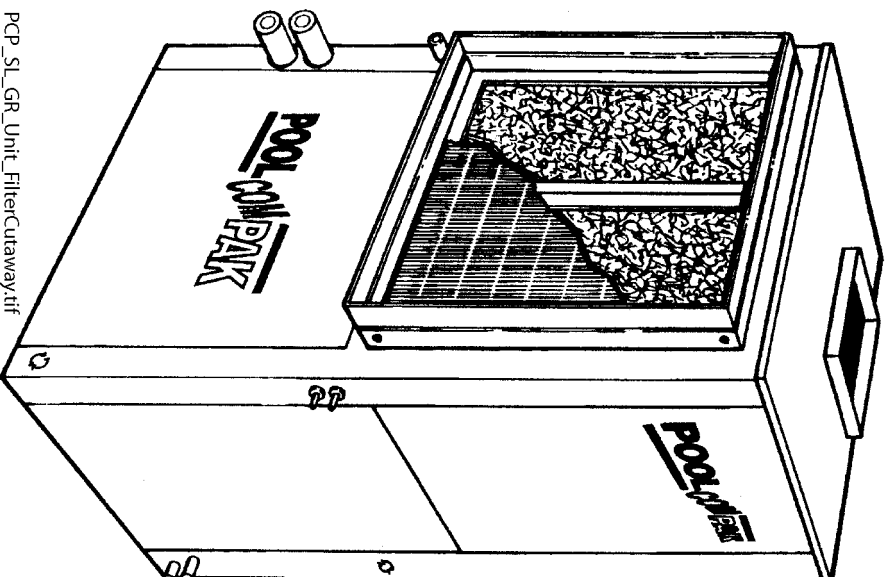


**PoolComPak**

**Series AWW/HCDV 3500/4000**

**Dimensional Drawings**

Packaged Natatorium Environment Control System



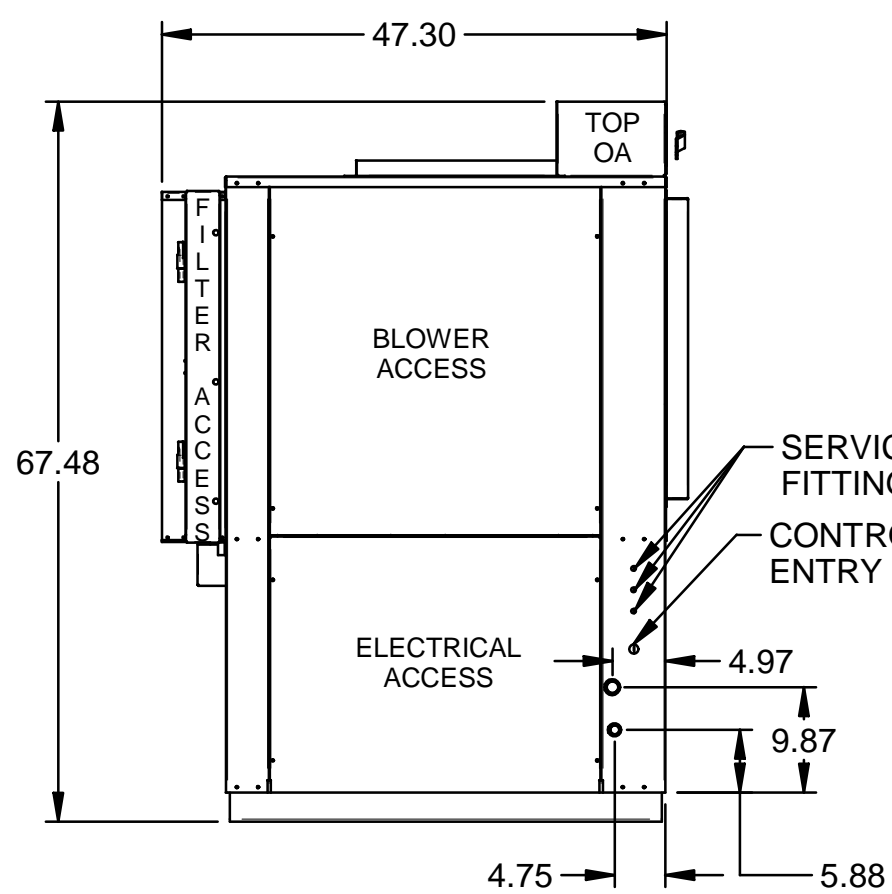
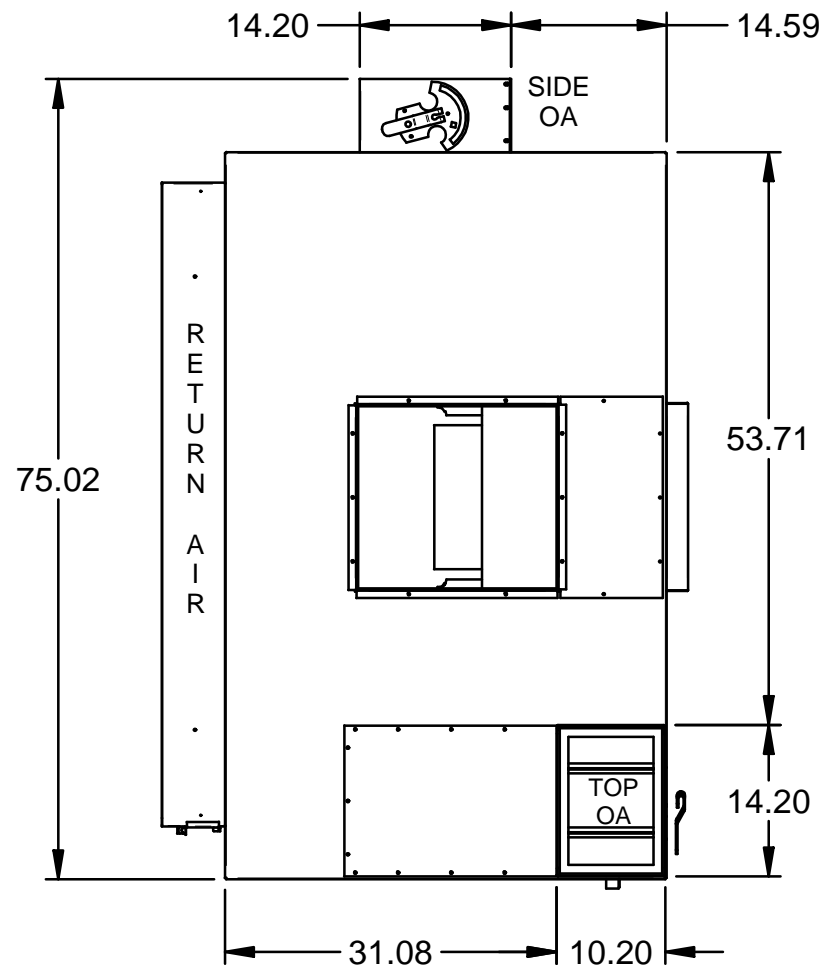
PCP\_sl\_GR\_Unit\_FilterCutaway.tif



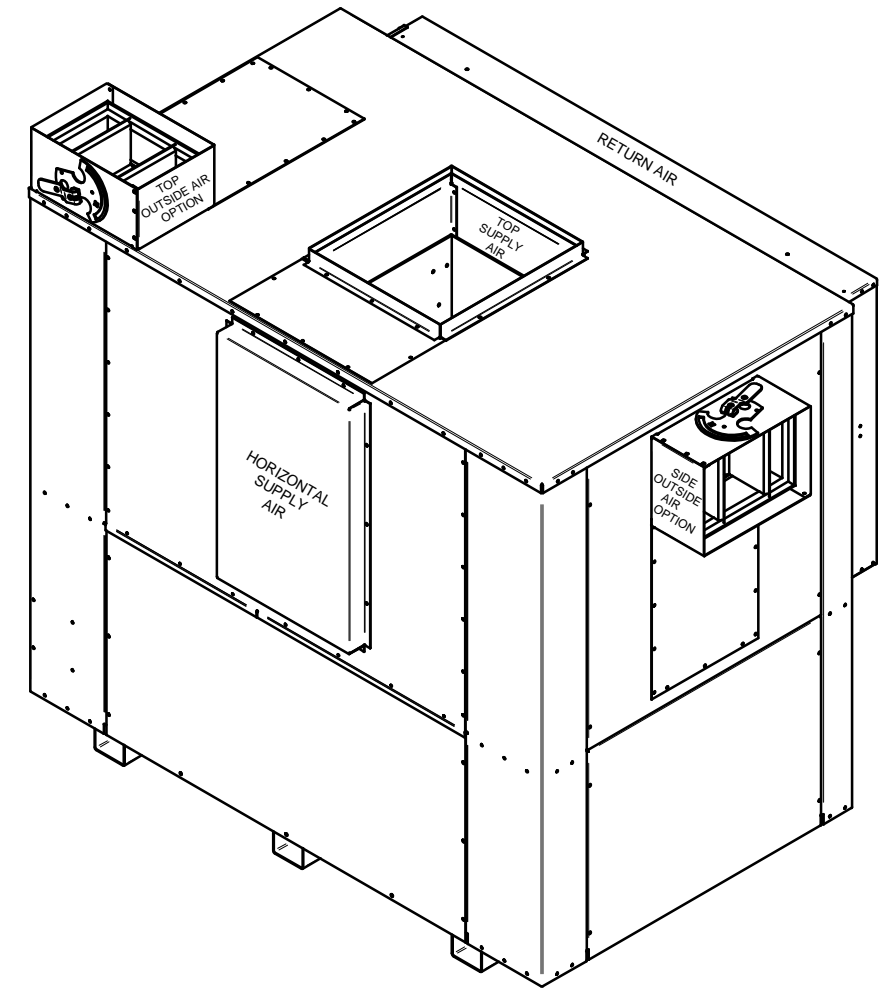
**POOL ComPAK**

**PoolComPak™ Series (PCP)**

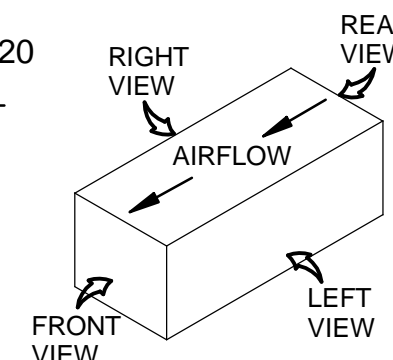
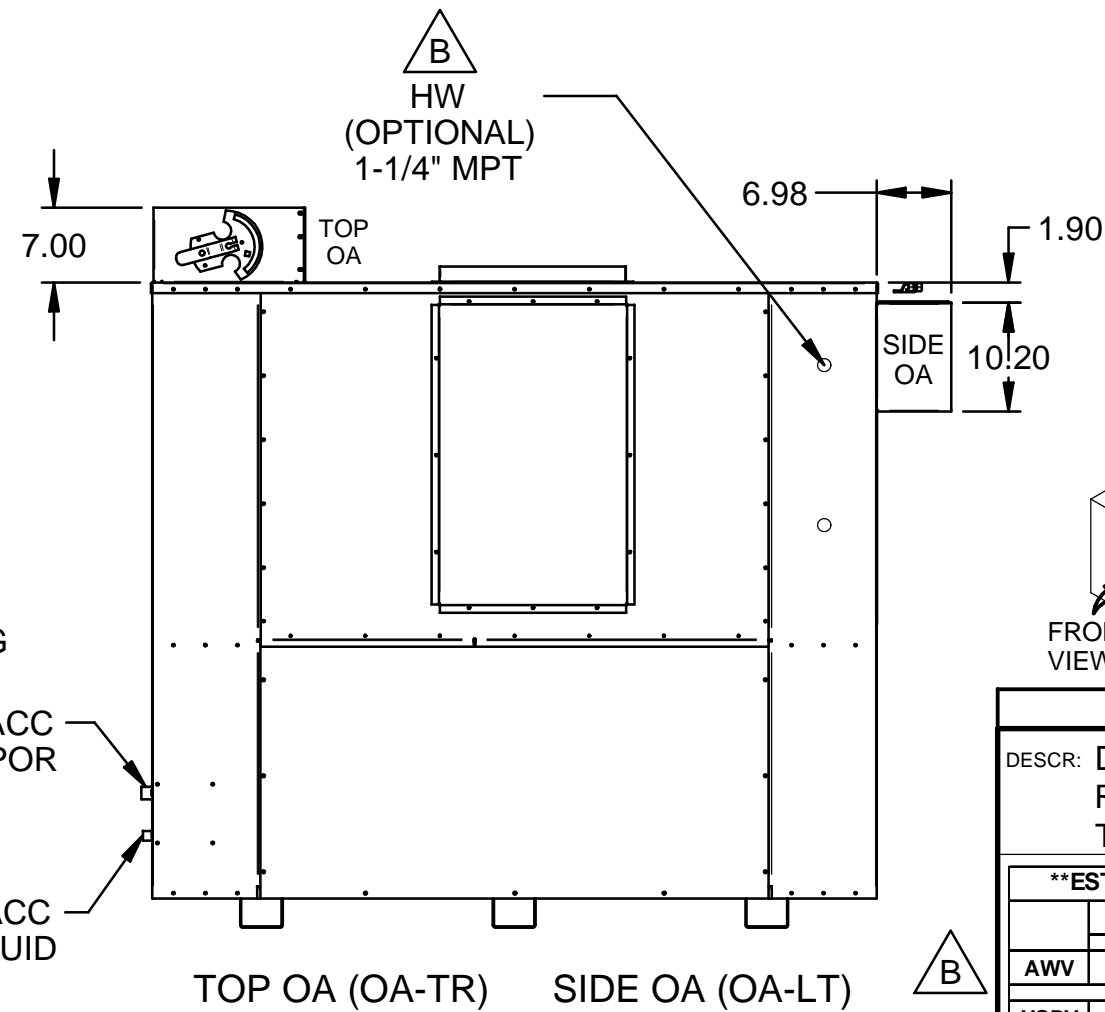
**Natatorium Dehumidification Unit**



AIR FILTERS			
Location	Qty.	Size	P/N
Return (1")	6	20" x 20"	26-0090-4
Return (2")	6	20" x 20"	26-0090-18
Return - 1" STD, 2" Optional			

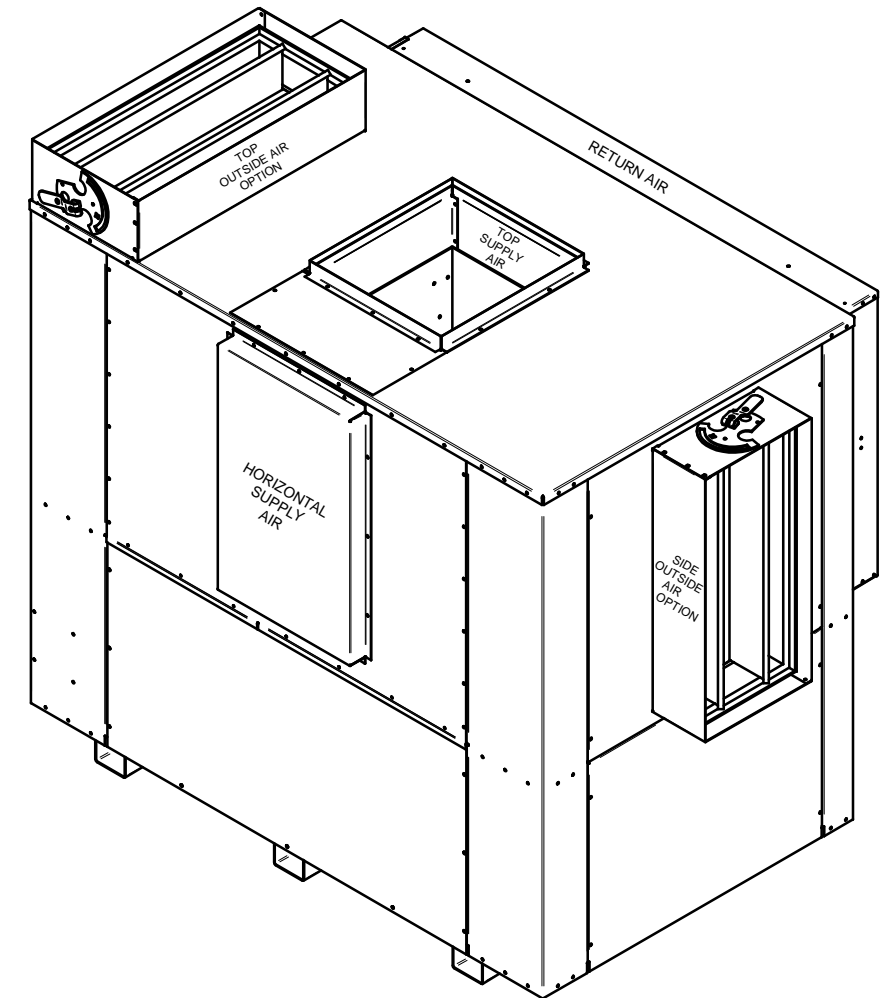
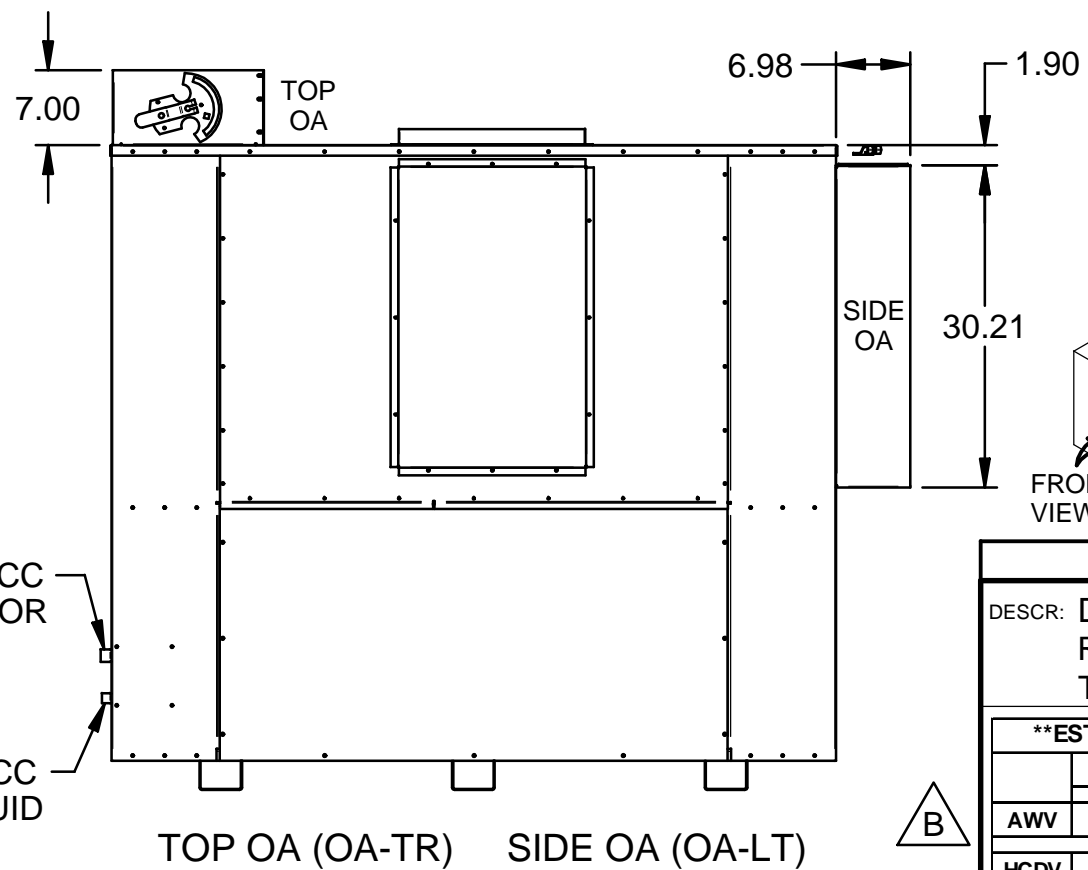
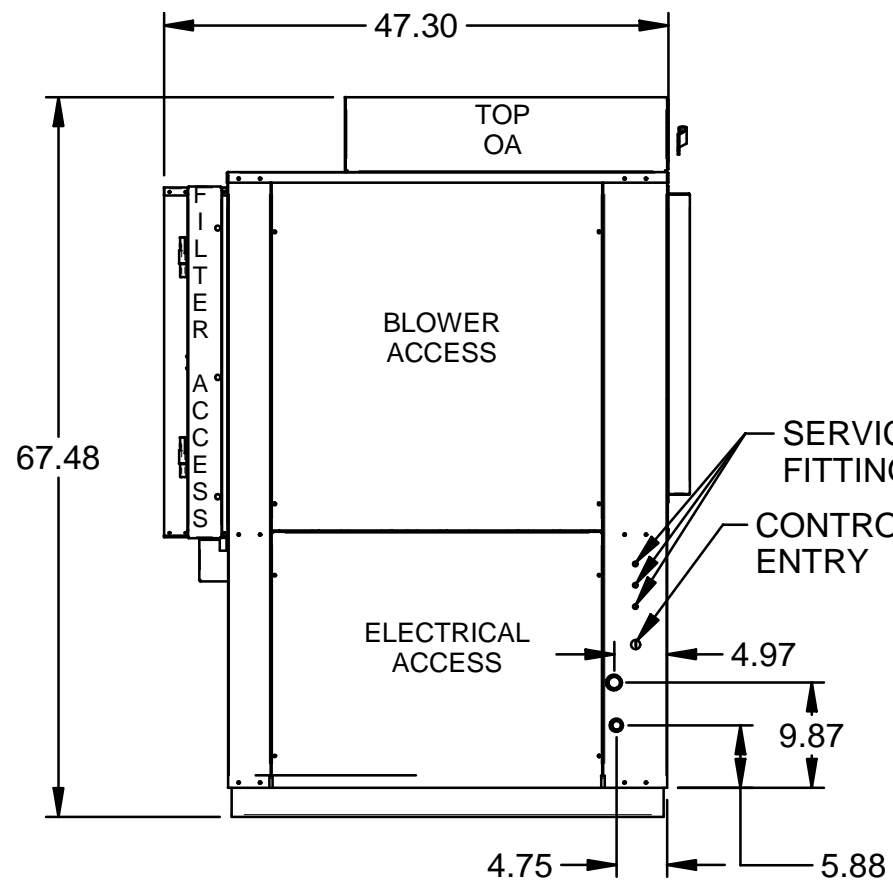
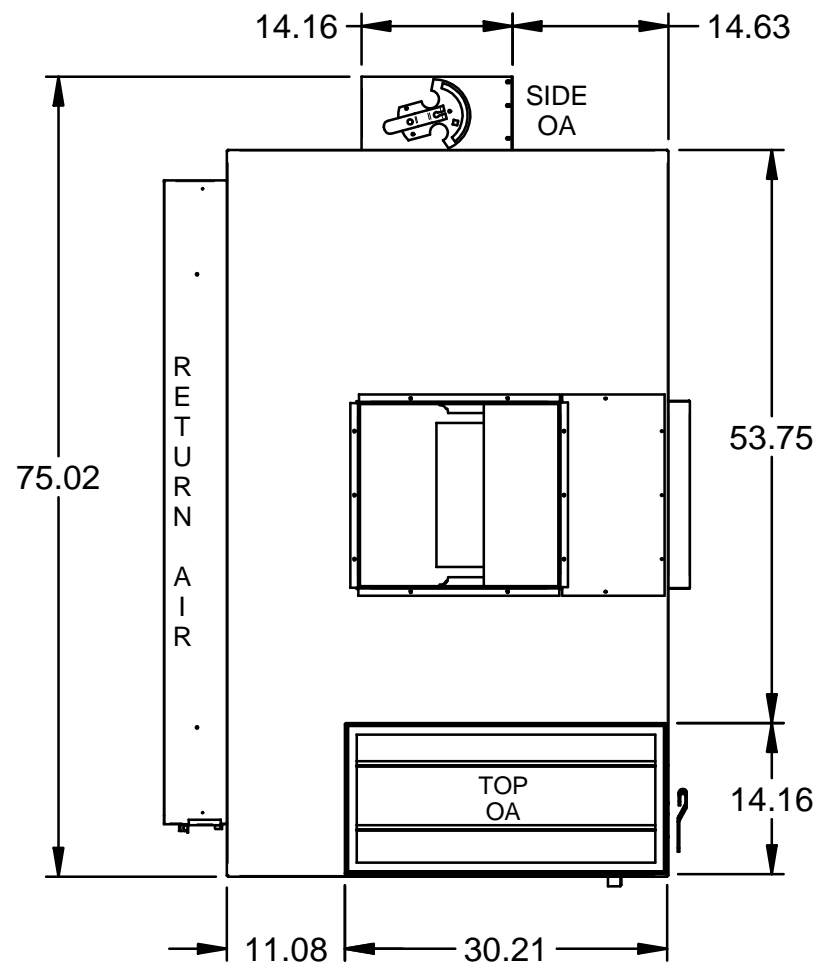


ISOMETRIC VIEW

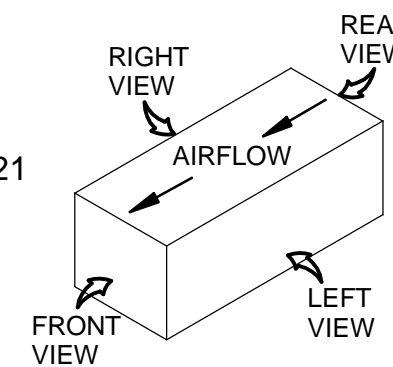


DIMENSIONS ARE IN 'INCHES'  
WEIGHTS ARE IN 'POUNDS'

POOLPAK INTERNATIONAL				YORK, PA	
DESCR: DIAGRAM, AWW/HCDV-3500/4000 (VERTICAL)					
R410A					
TITLE BLOCK FOR INTERNAL USE ONLY					1 OF 6
<b>**ESTIMATED WEIGHTS**</b>					
	3500	4000			
AWV	1460	1540			
HCDV	1420	1500			
UNIT(S) USED: AWW/HCDV-3500/4000					
FILE: 5600004.dft					
DR: dhenry	CHK:	REV.:	PART NO.		
DATE: 8/13/2009		<b>B</b>	560-0004D		



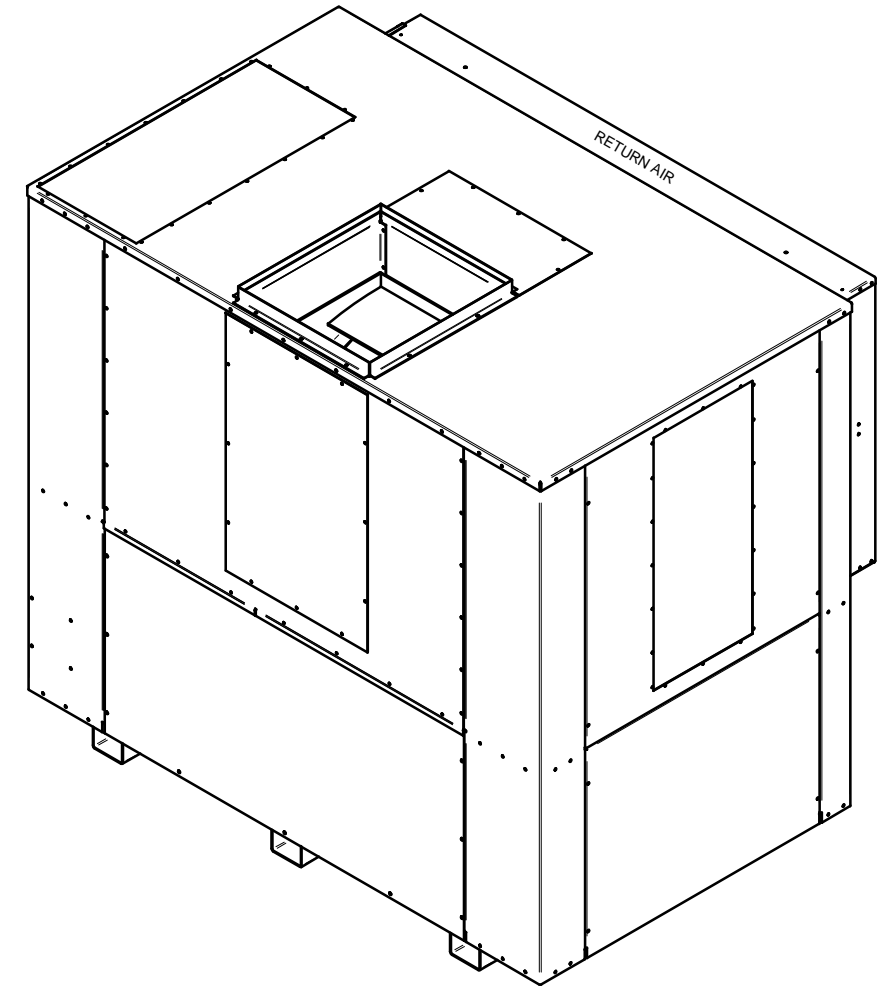
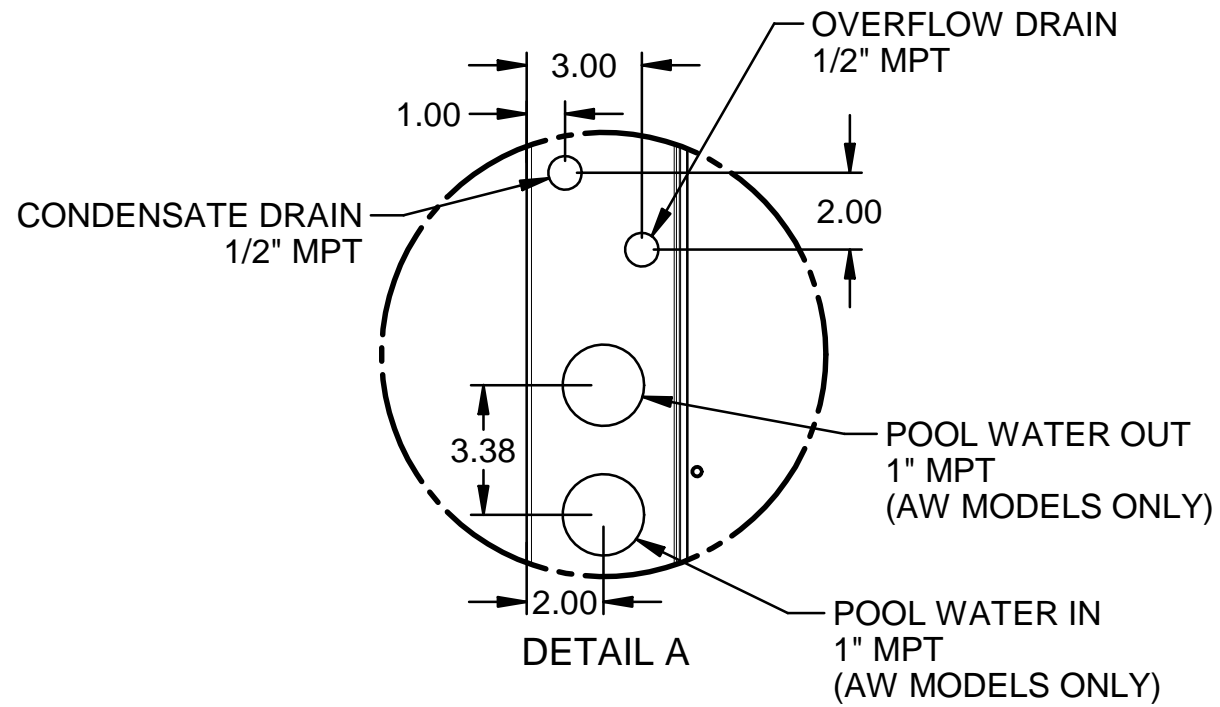
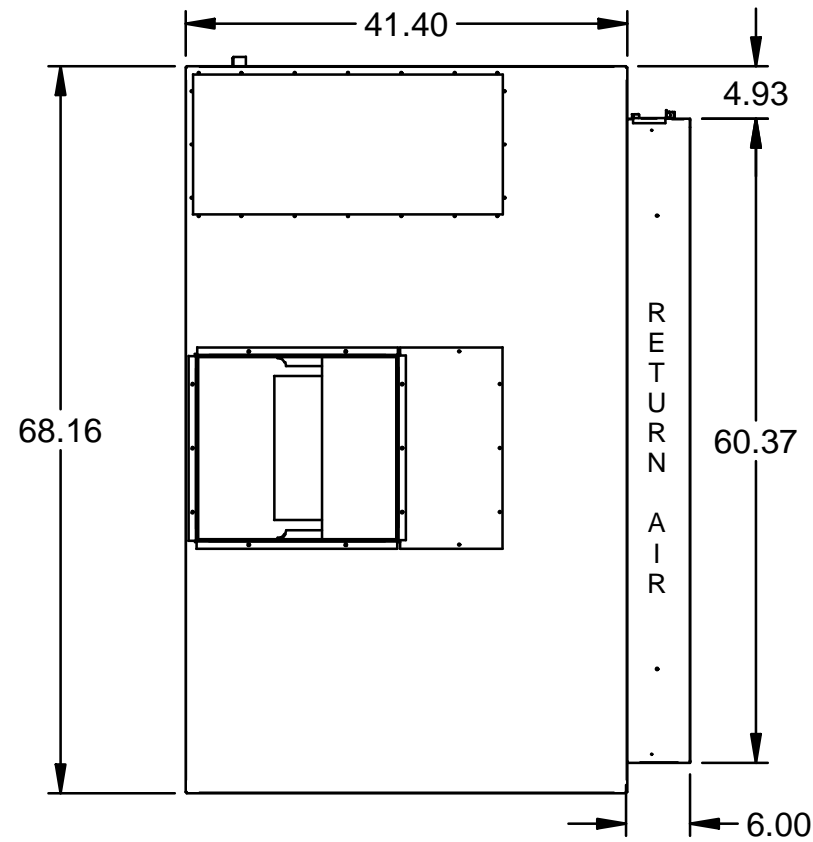
ISOMETRIC VIEW



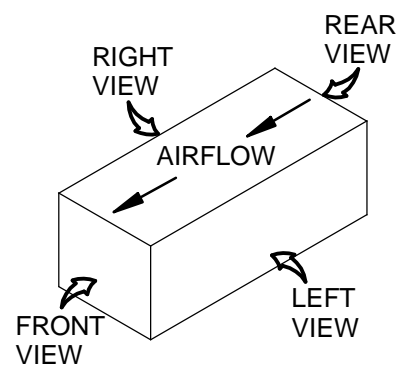
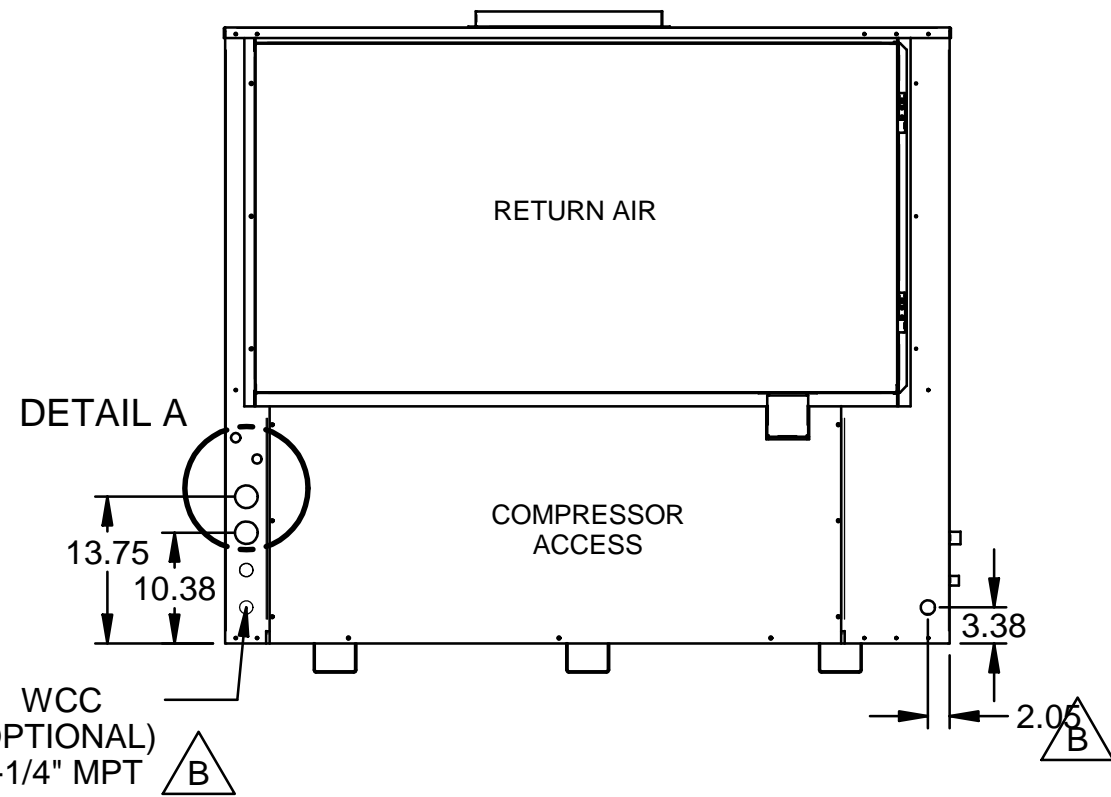
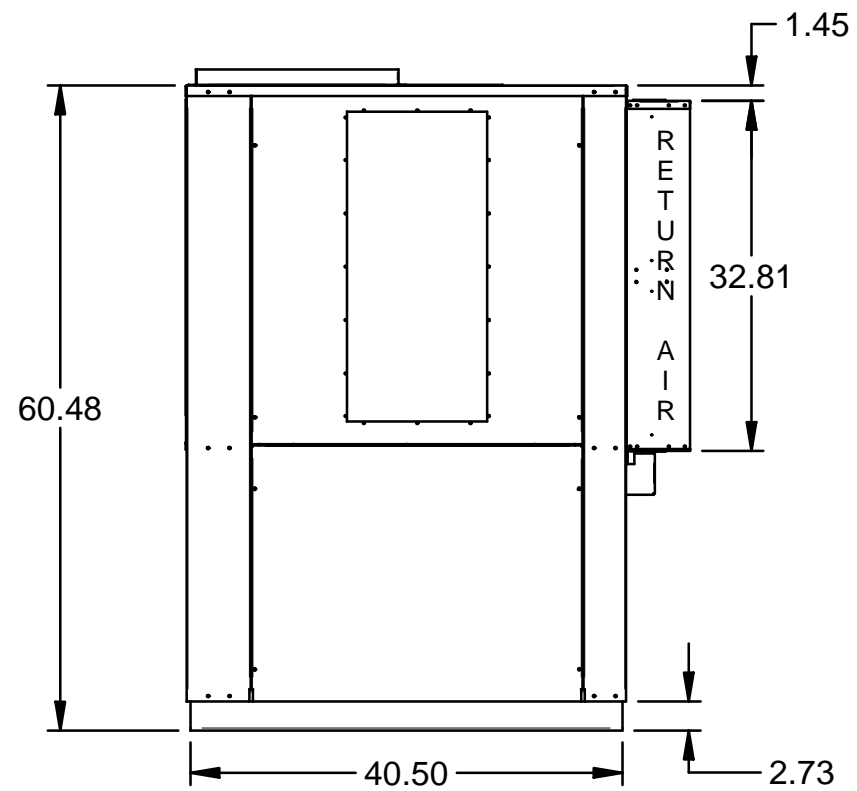
DIMENSIONS ARE IN 'INCHES'  
WEIGHTS ARE IN 'POUNDS'

POOLPAK INTERNATIONAL YORK, PA			
DESCR: DIAGRAM, AWV/HCDV-3500/4000 (VERTICAL) R410A			
TITLE BLOCK FOR INTERNAL USE ONLY			2 OF 6
<b>**ESTIMATED WEIGHTS**</b>			
	3500	4000	
AWV	1460	1540	
HCDV	1420	1500	
UNIT(S) USED: AWV/HCDV-3500/4000		FILE: 5600004.dft	
DR: dhenry	CHK:	REV. B	PART NO. 560-0004D
DATE: 8/13/2009			



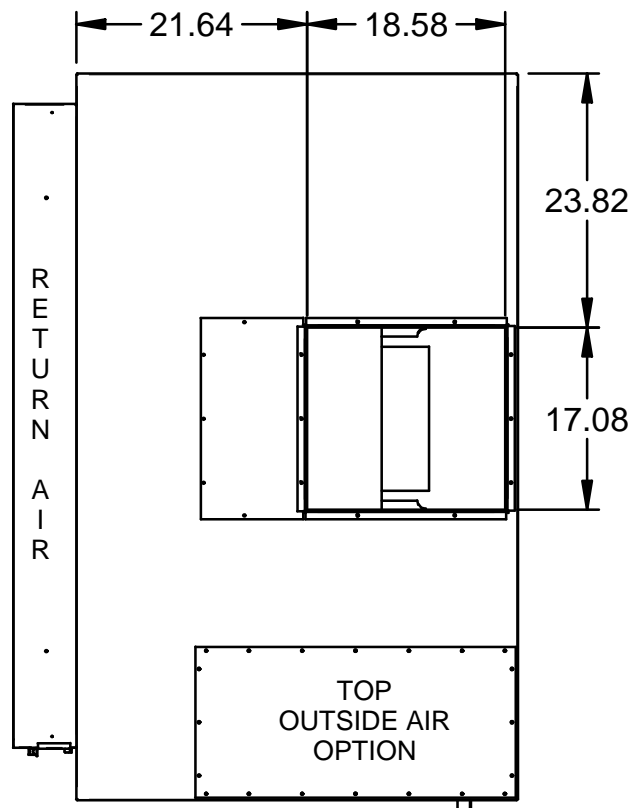


ISOMETRIC VIEW

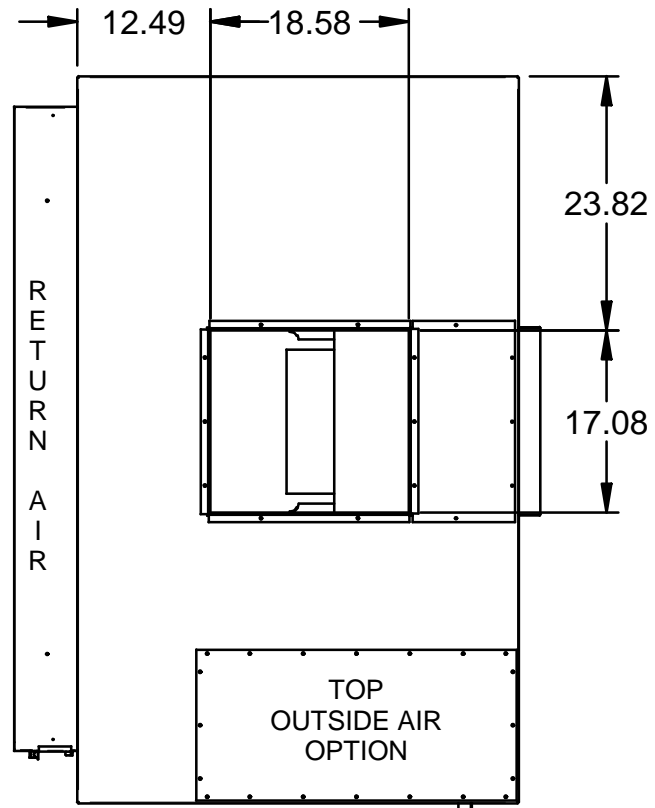


DIMENSIONS ARE IN 'INCHES'  
WEIGHTS ARE IN 'POUNDS'

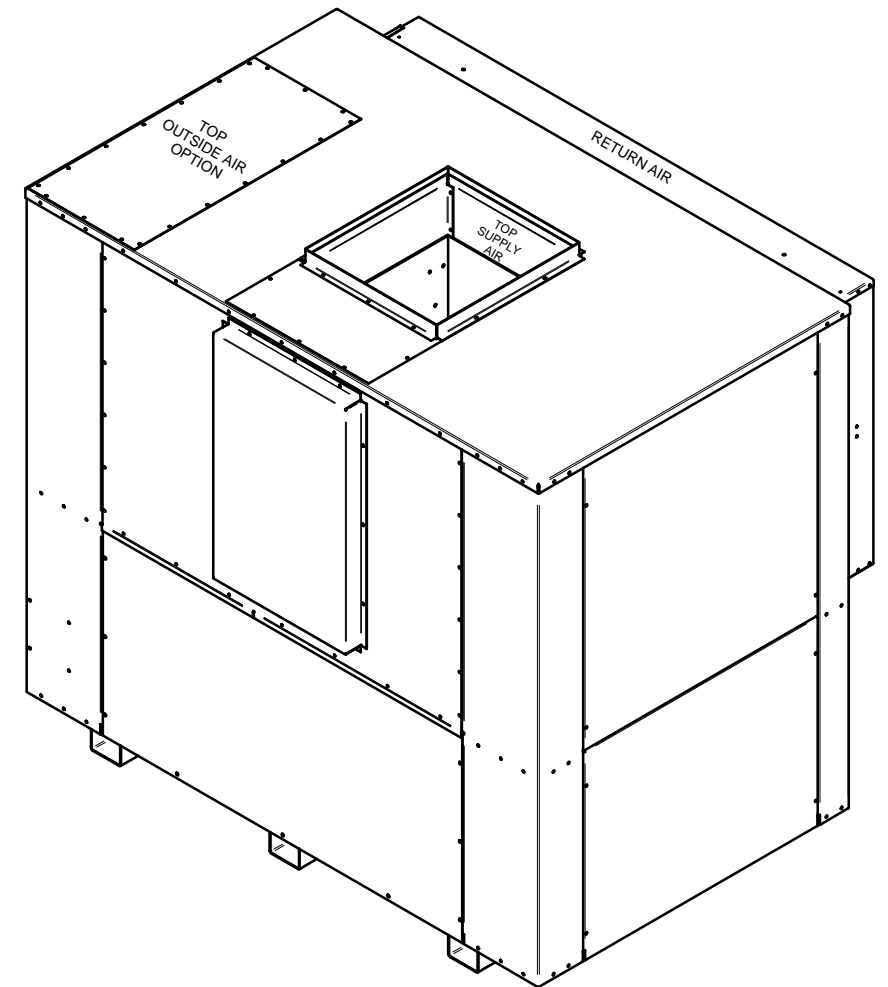
POOLPAK INTERNATIONAL		YORK, PA	
DESCR: DIAGRAM, AWV/HCDV-3500/4000 (VERTICAL) R410A TITLE BLOCK FOR INTERNAL USE ONLY			
			3 OF 6
<b>**ESTIMATED WEIGHTS**</b>			
	3500	4000	
AWV	1460	1540	
HCDV	1420	1500	
UNIT(S) USED: AWV/HCDV-3500/4000		FILE: 5600004.dft	
DR: dhenry	CHK:	REV. B	PART NO. 560-0004D
DATE: 8/13/2009			



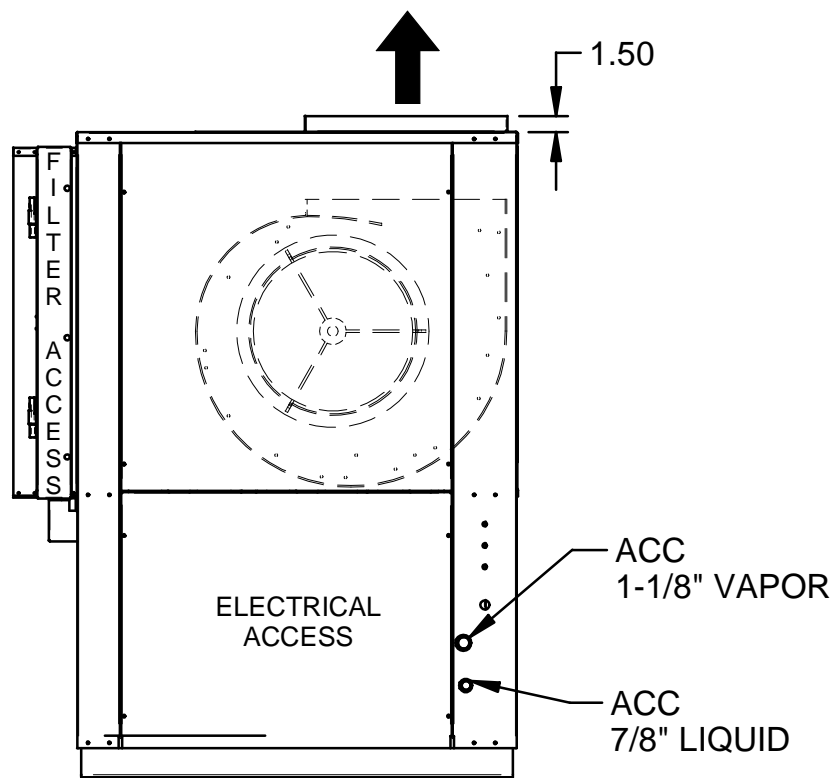
TOP SUPPLY - (18X13 CCW) - (SA-TL08)



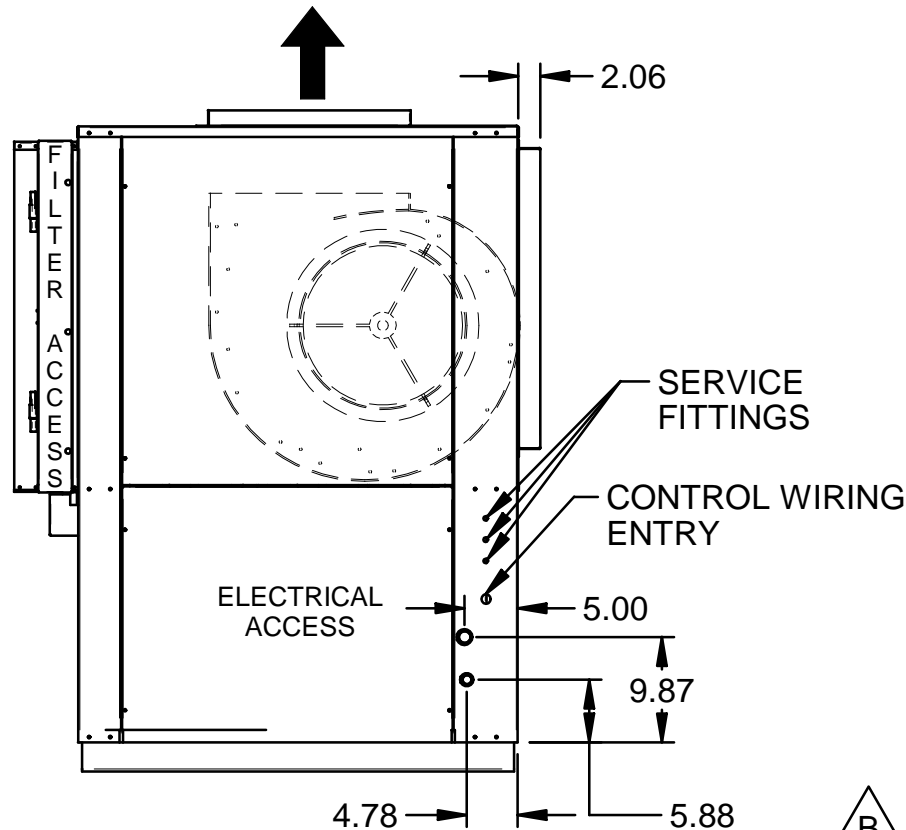
TOP SUPPLY - (18X13 CW) - (SA-TL07)



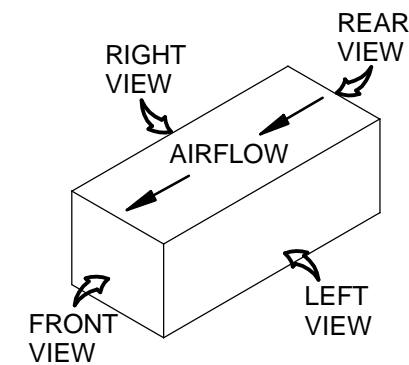
ISOMETRIC VIEW



TOP SUPPLY - (18X13 CCW) - (SA-TL08)



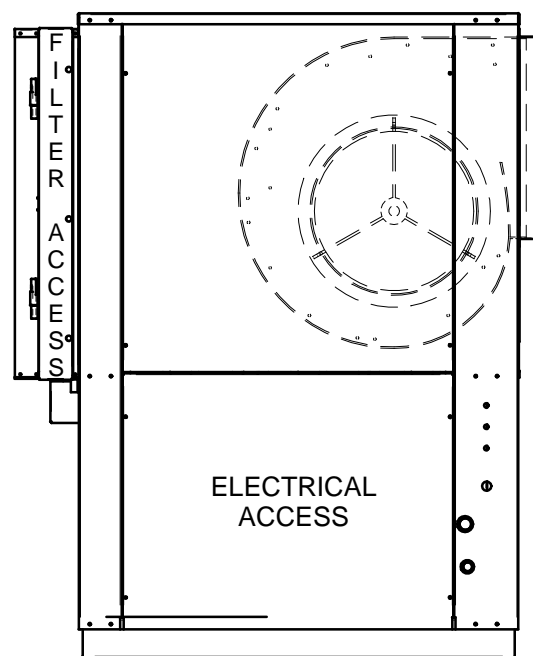
TOP SUPPLY - (18X13 CW) - (SA-TL07)



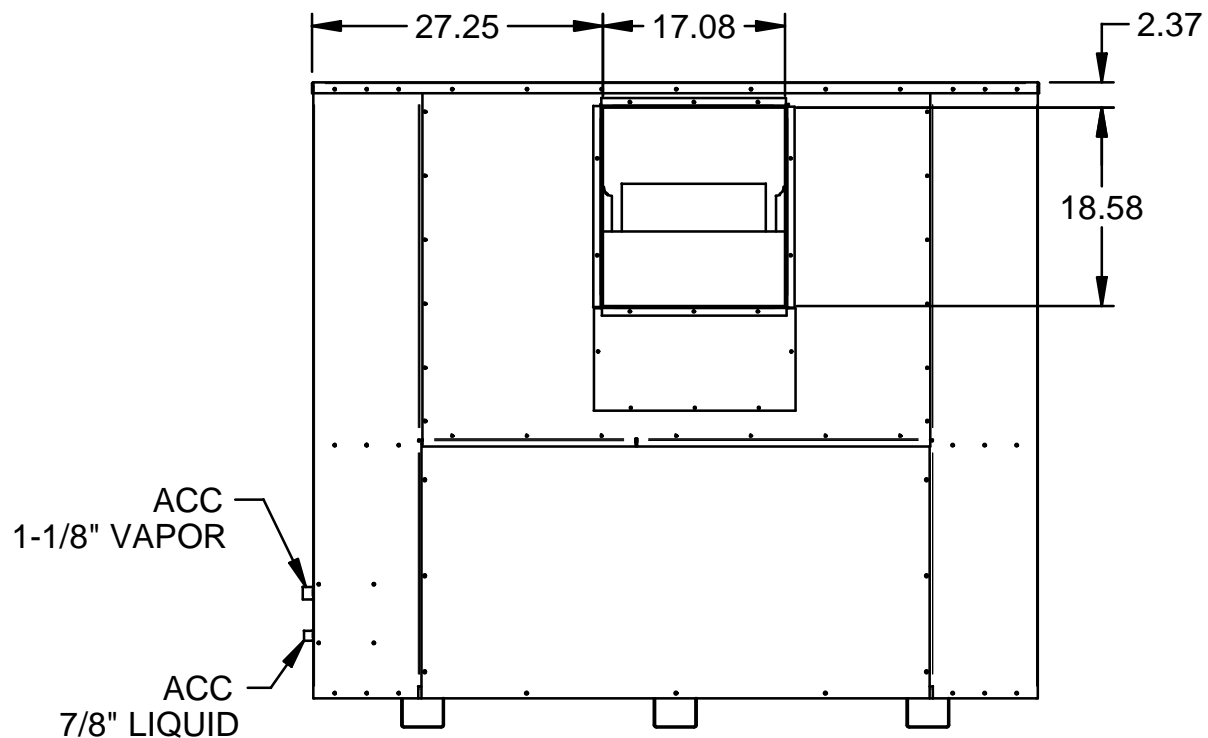
DIMENSIONS ARE IN 'INCHES'  
WEIGHTS ARE IN 'POUNDS'

POOLPAK INTERNATIONAL YORK, PA			
DESCR: DIAGRAM, AWW/HCDV-3500/4000 (VERTICAL) R410A			
TITLE BLOCK FOR INTERNAL USE ONLY			4 OF 6
<b>**ESTIMATED WEIGHTS**</b>			
	3500	4000	
AWV	1460	1540	
HCDV	1420	1500	
UNIT(S) USED: AWW/HCDV-3500/4000		FILE: 5600004.dft	
DR: dhenry	CHK:	REV. B	PART NO. 560-0004D
DATE: 8/13/2009			

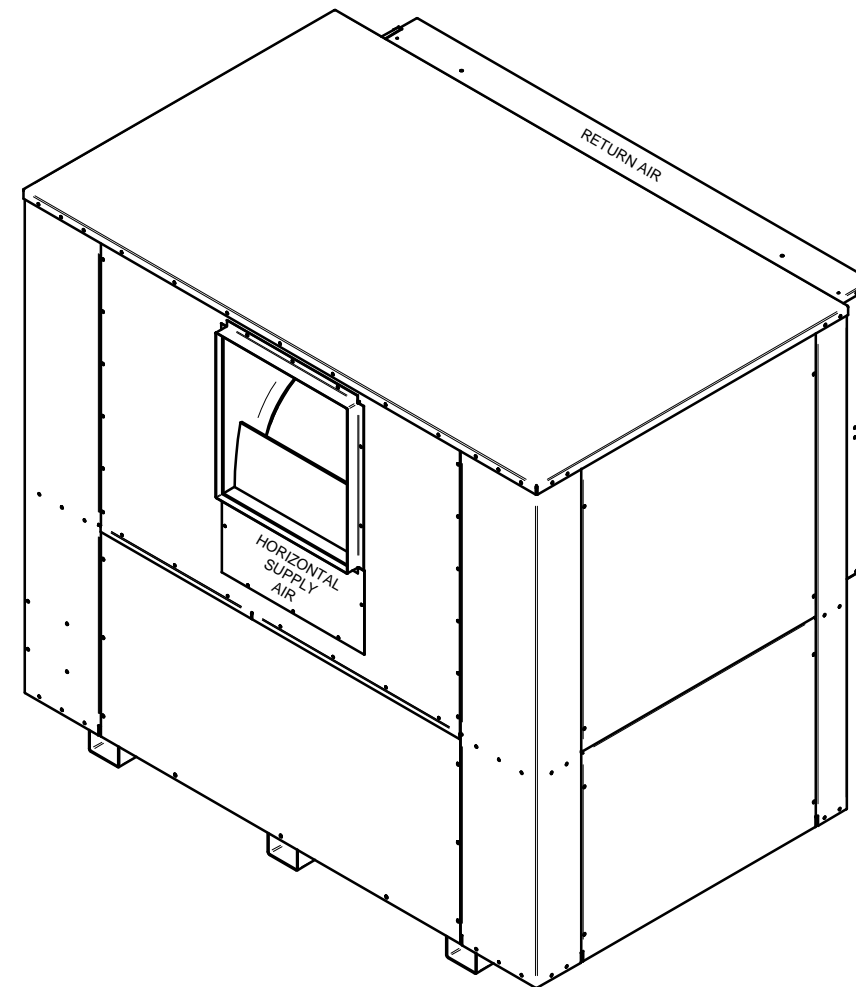




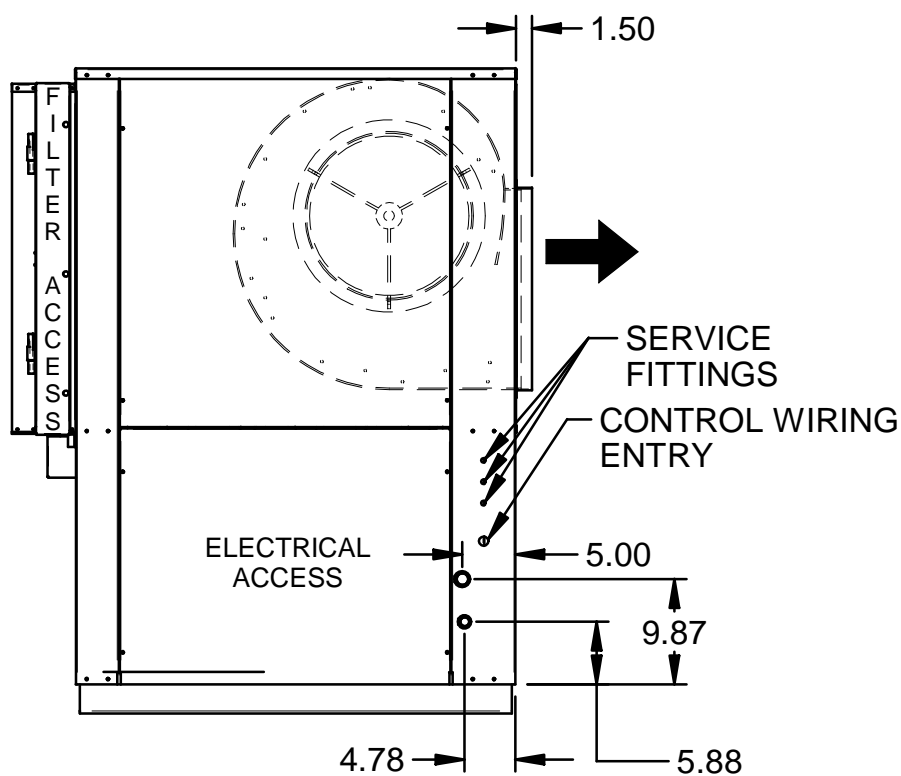
FRONT SUPPLY - (18X13 CW) - (SA-FL01)



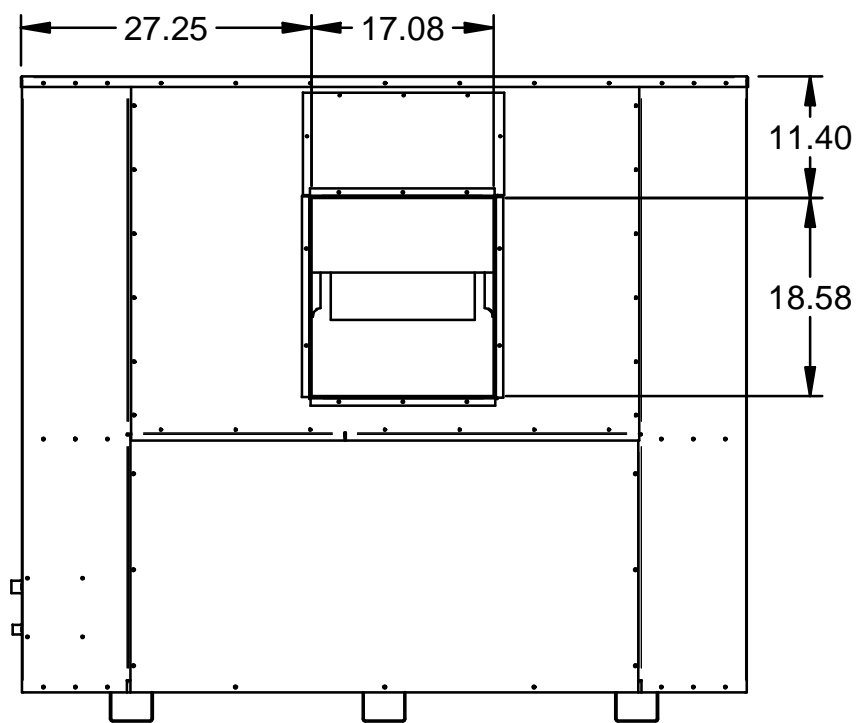
FRONT SUPPLY - (18X13 CW) - (SA-FL01)



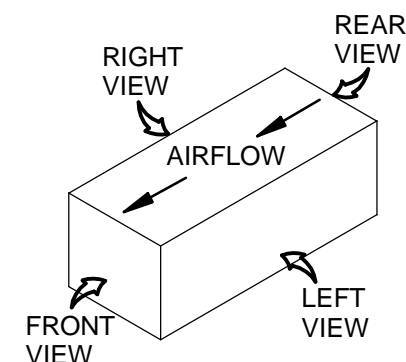
ISOMETRIC VIEW



FRONT SUPPLY - (18X13 CCW) - (SA-FL02)



FRONT SUPPLY - (18X13 CCW) - (SA-FL02)



DIMENSIONS ARE IN 'INCHES'  
WEIGHTS ARE IN 'POUNDS'

POOLPAK INTERNATIONAL YORK, PA			
DESCR: DIAGRAM, AWV/HCDV-3500/4000 (VERTICAL) R410A			
TITLE BLOCK FOR INTERNAL USE ONLY			5 OF 6
<b>**ESTIMATED WEIGHTS**</b>			
	3500	4000	
AWV	1460	1540	
HCDV	1420	1500	
UNIT(S) USED: AWV/HCDV-3500/4000		FILE: 5600004.dft	
DR: dhenry	CHK:	REV. B	PART NO. 560-0004D
DATE: 8/13/2009			

