

**POOLPAK**

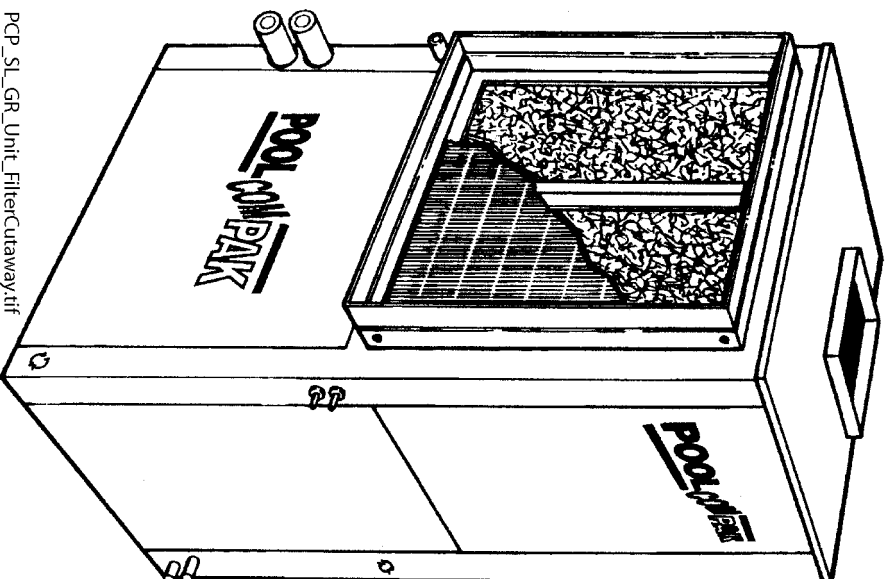


**PoolComPak**

**Series AWW/HCDV 2600**

**Dimensional Drawings**

Packaged Natatorium Environment Control System



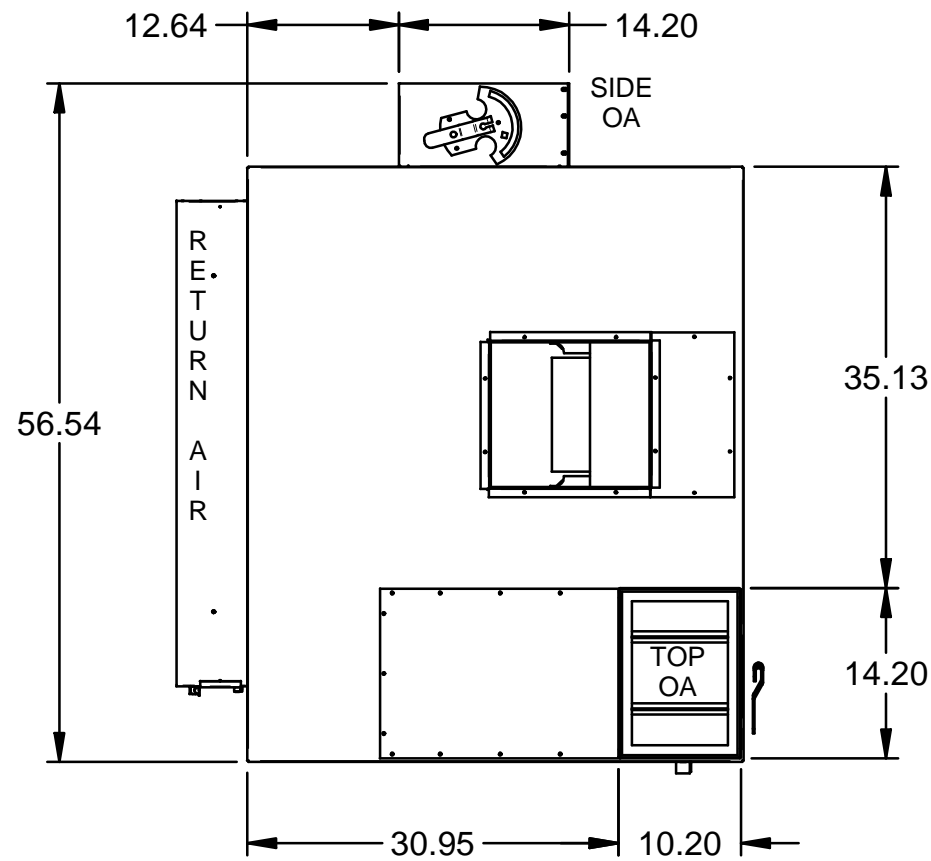
PCP\_sl\_GR\_Unit\_FilterCutaway.tif



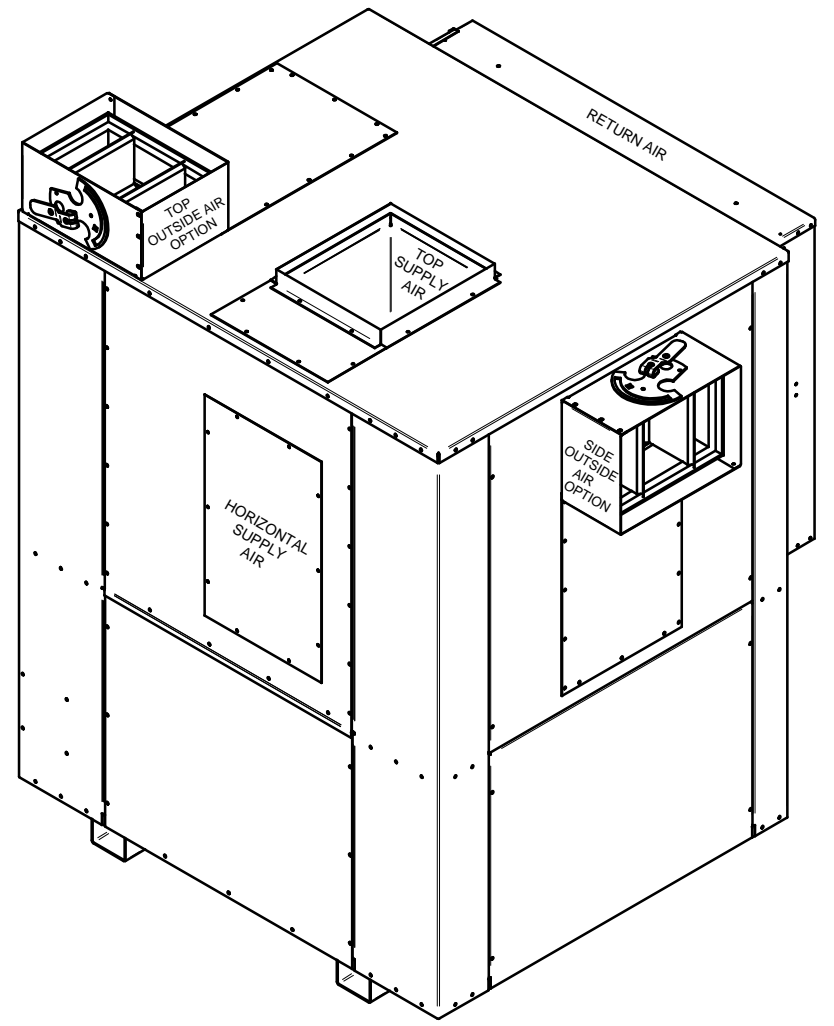
**POOL ComPAK**

**PoolComPak™ Series (PCP)**

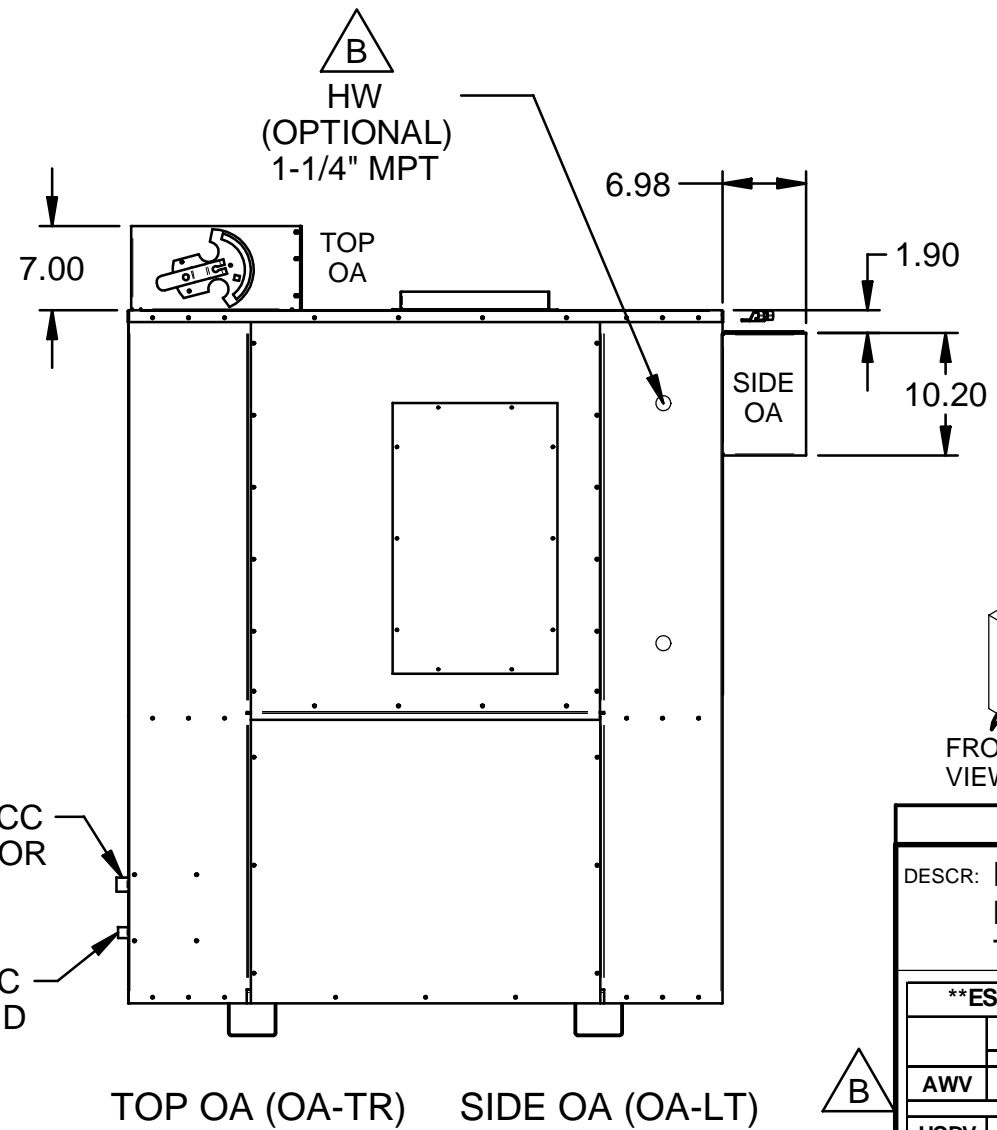
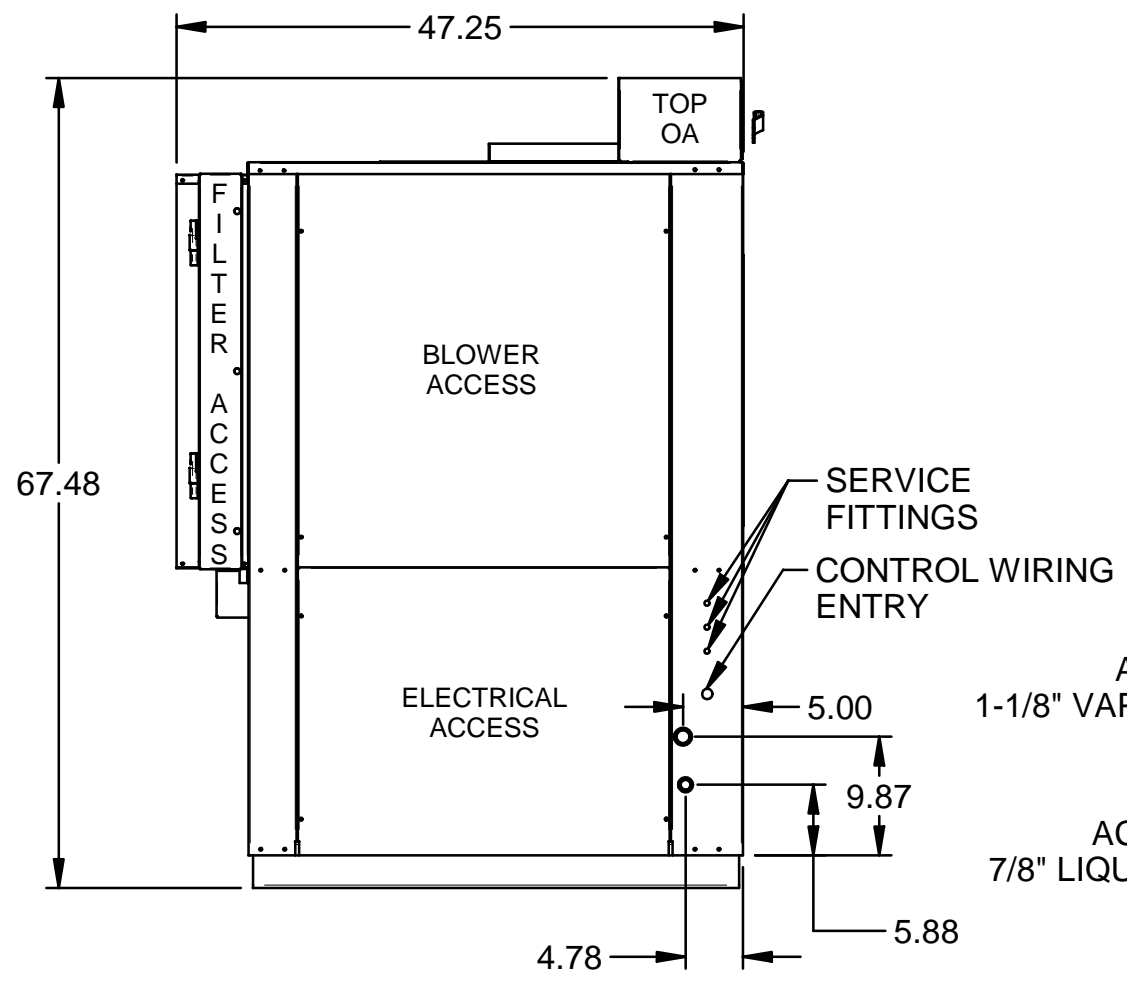
**Natatorium Dehumidification Unit**



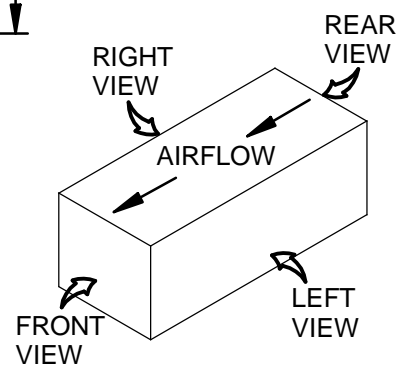
AIR FILTERS			
Location	Qty.	Size	P/N
Return (1")	4	20" x 20"	26-0090-4
Return (2")	4	20" x 20"	26-0090-18
Return - 1" STD, 2" Optional			



ISOMETRIC VIEW

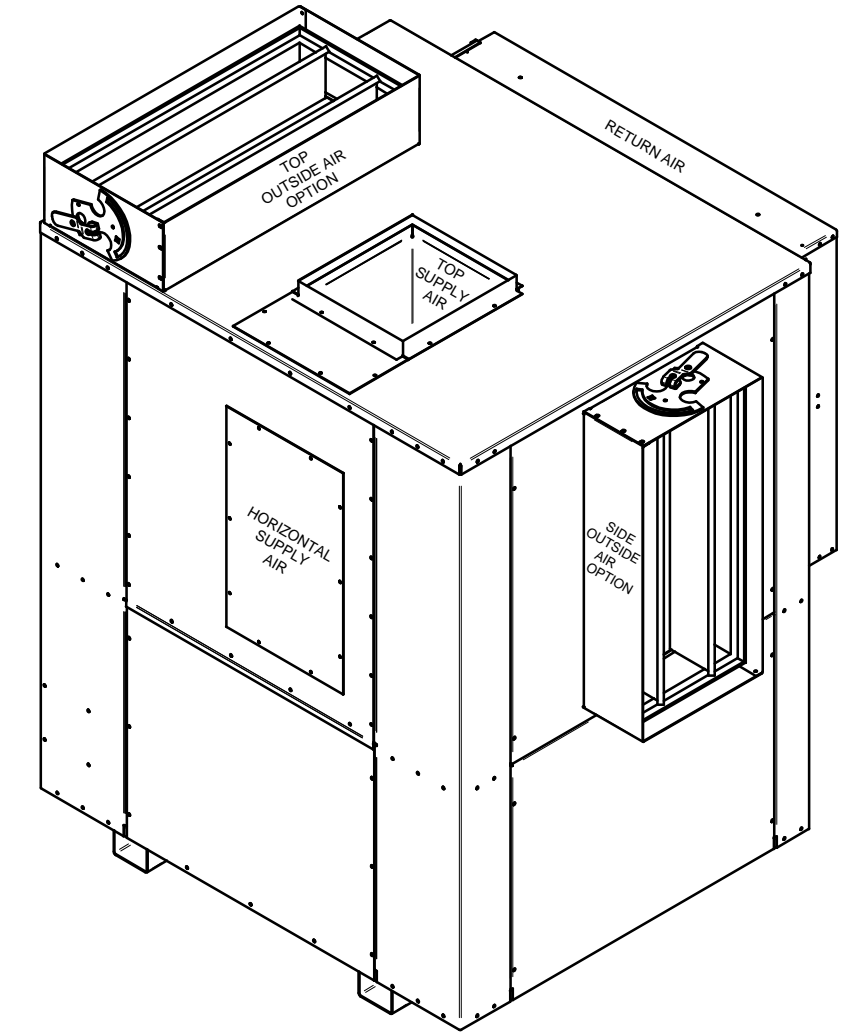
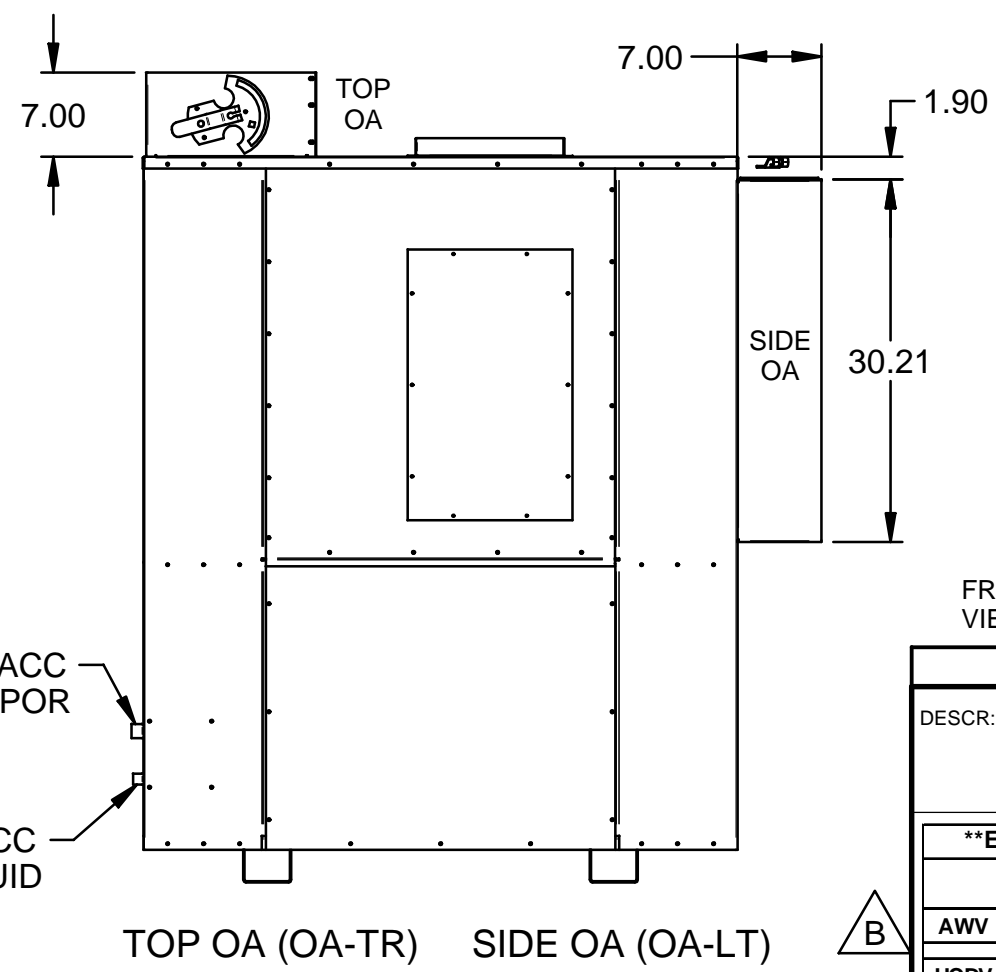
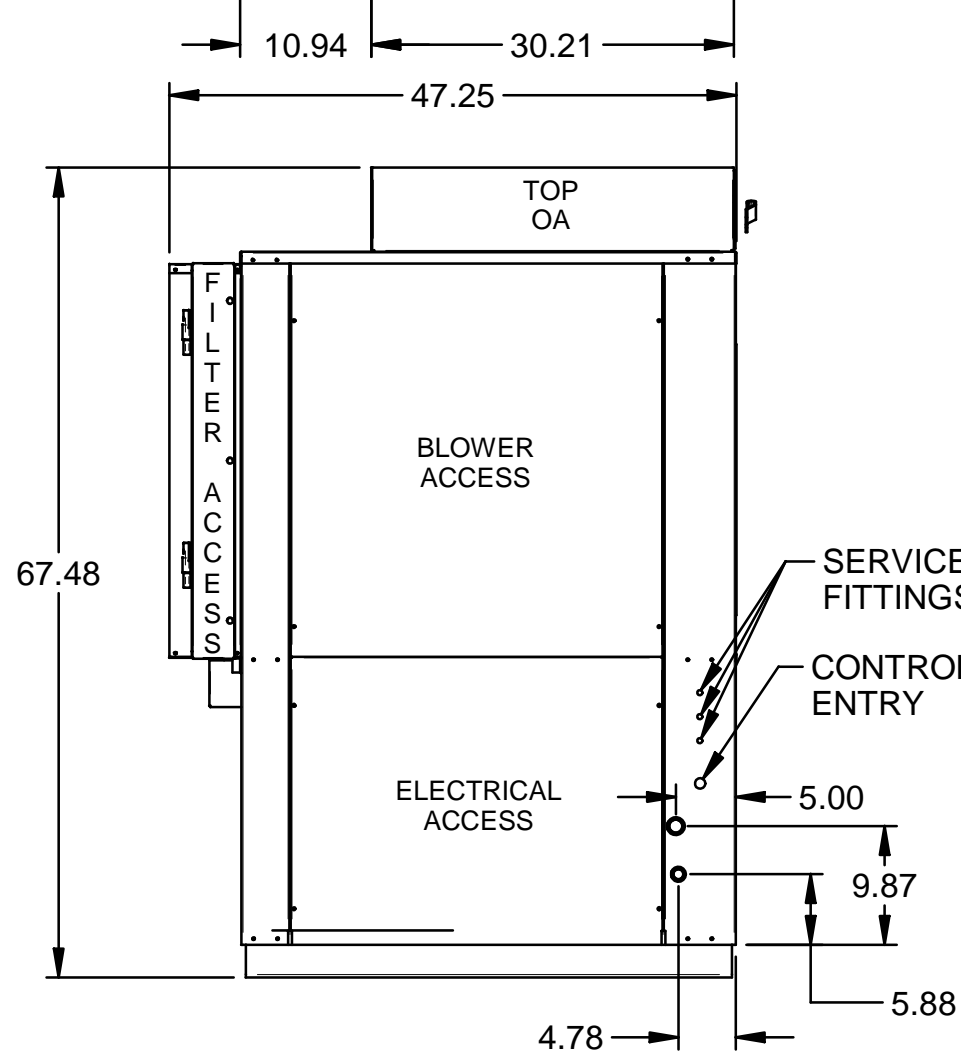
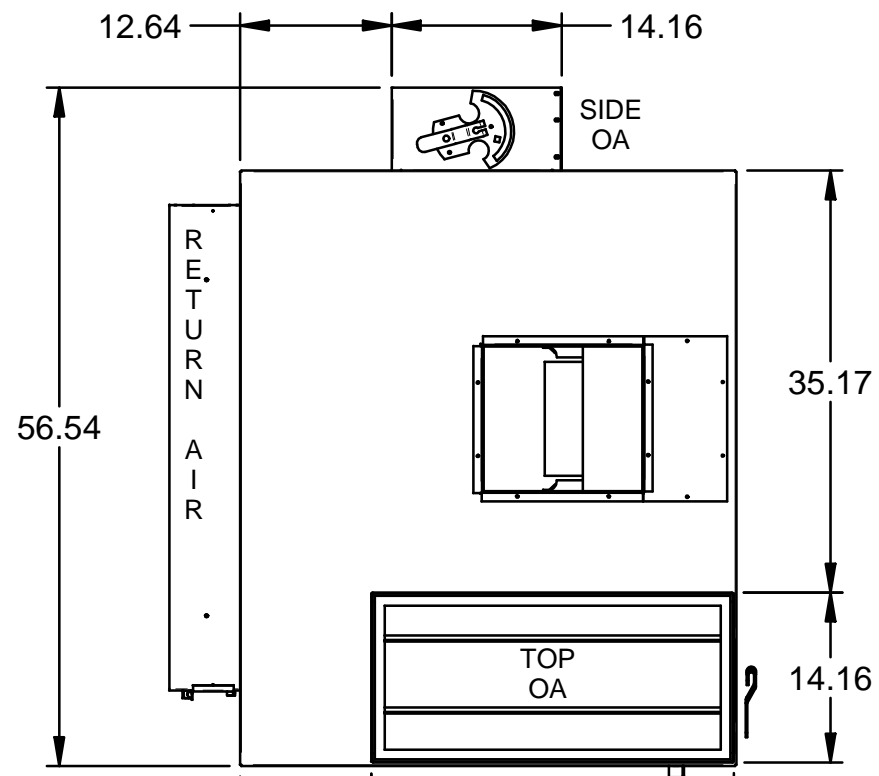


TOP OA (OA-TR) SIDE OA (OA-LT)

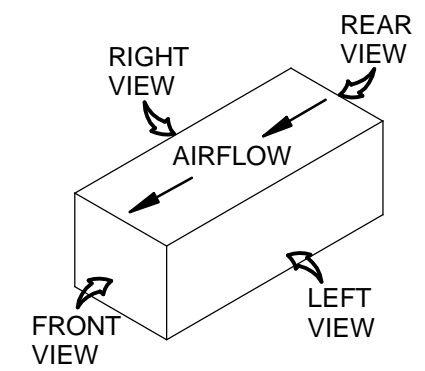


DIMENSIONS ARE IN 'INCHES'  
WEIGHTS ARE IN 'POUNDS'

POOLPAK INTERNATIONAL		YORK, PA	
DESCR: DIAGRAM, AWV/HCDV-2600 (VERTICAL) R410A			
TITLE BLOCK FOR INTERNAL USE ONLY			1 OF 8
<b>**ESTIMATED WEIGHTS**</b>			
	2600		
AWV	1090		
HCDV	1050		
UNIT(S) USED: AWV/HCDV-2600		FILE: 5600003.dft	
DR: dhenry	CHK:	REV. B	PART NO. 560-0003D
DATE: 8/12/2009			



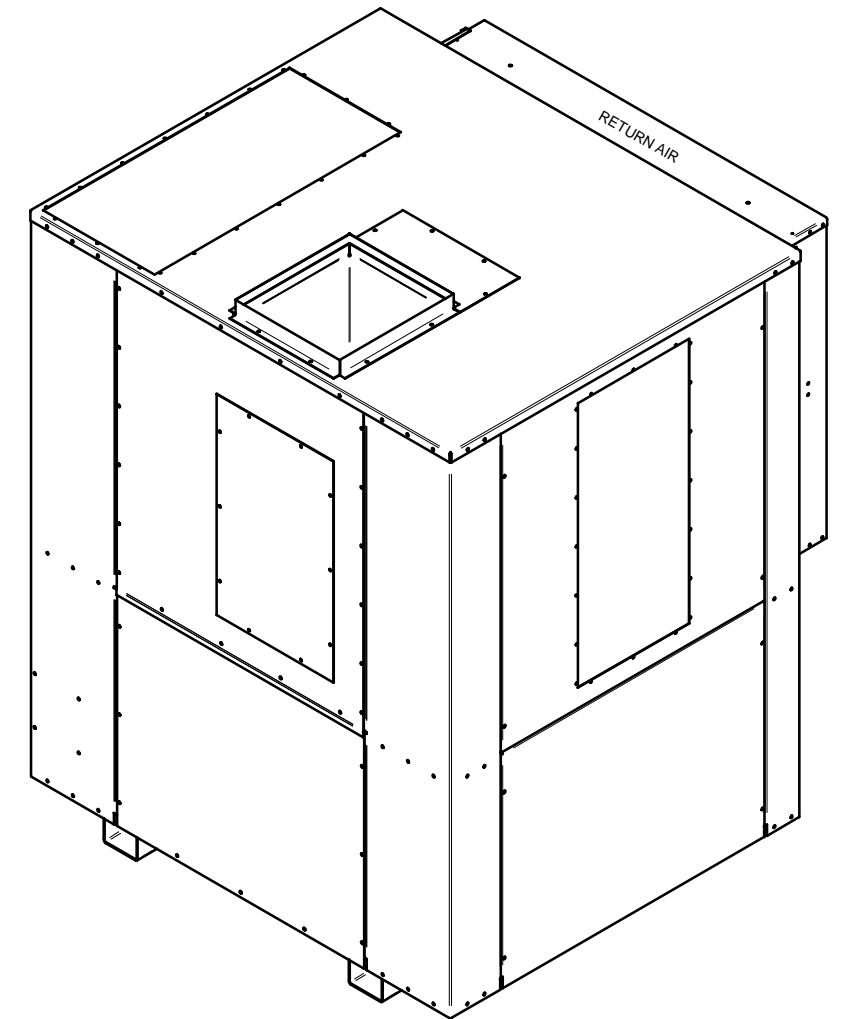
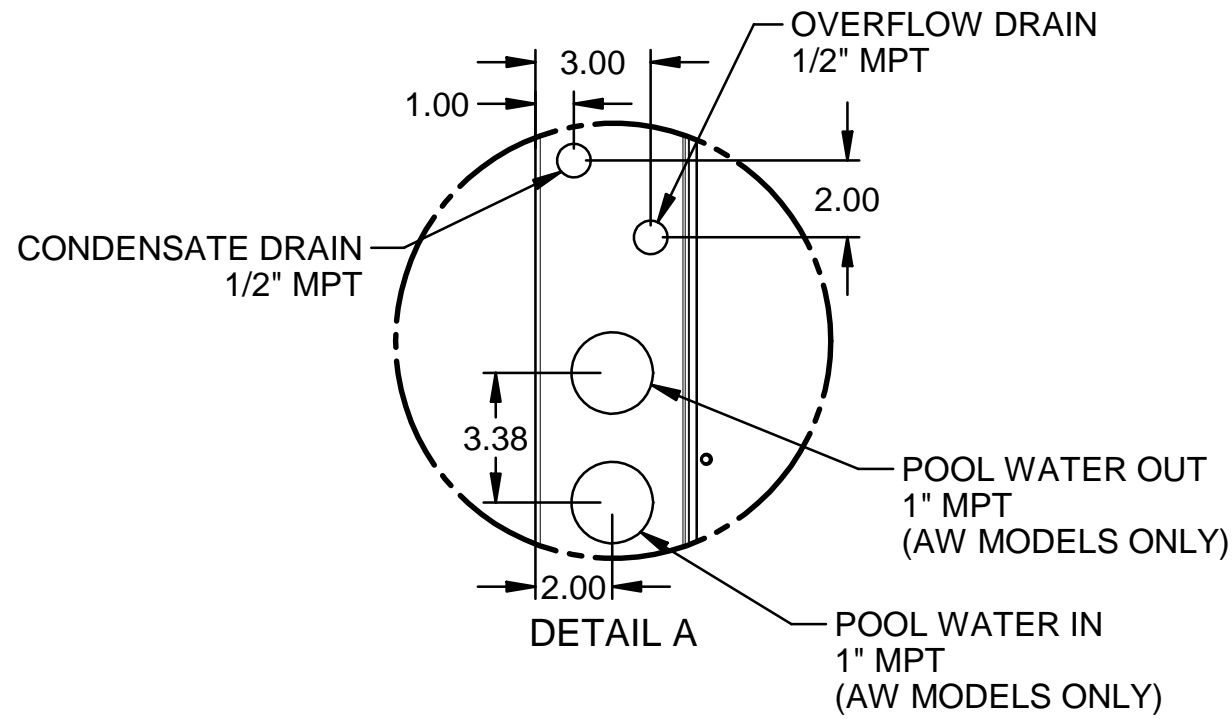
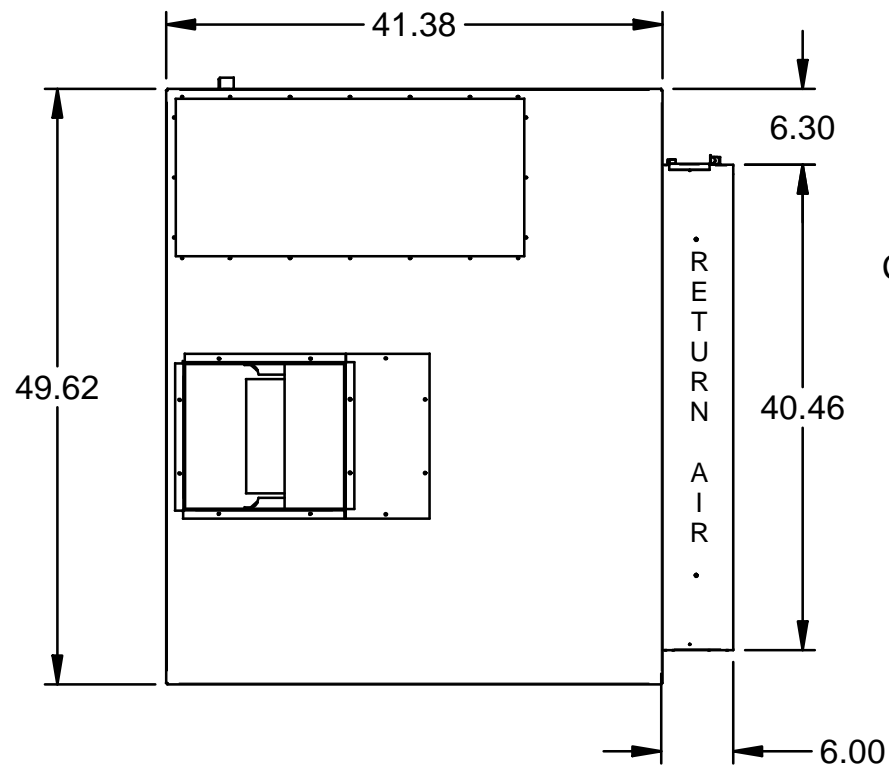
ISOMETRIC VIEW



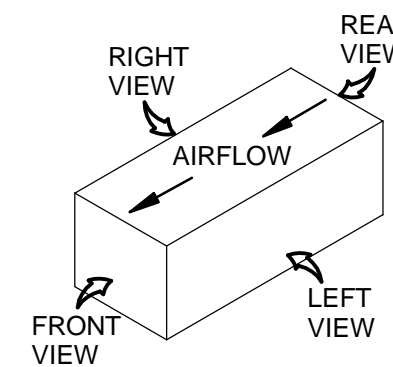
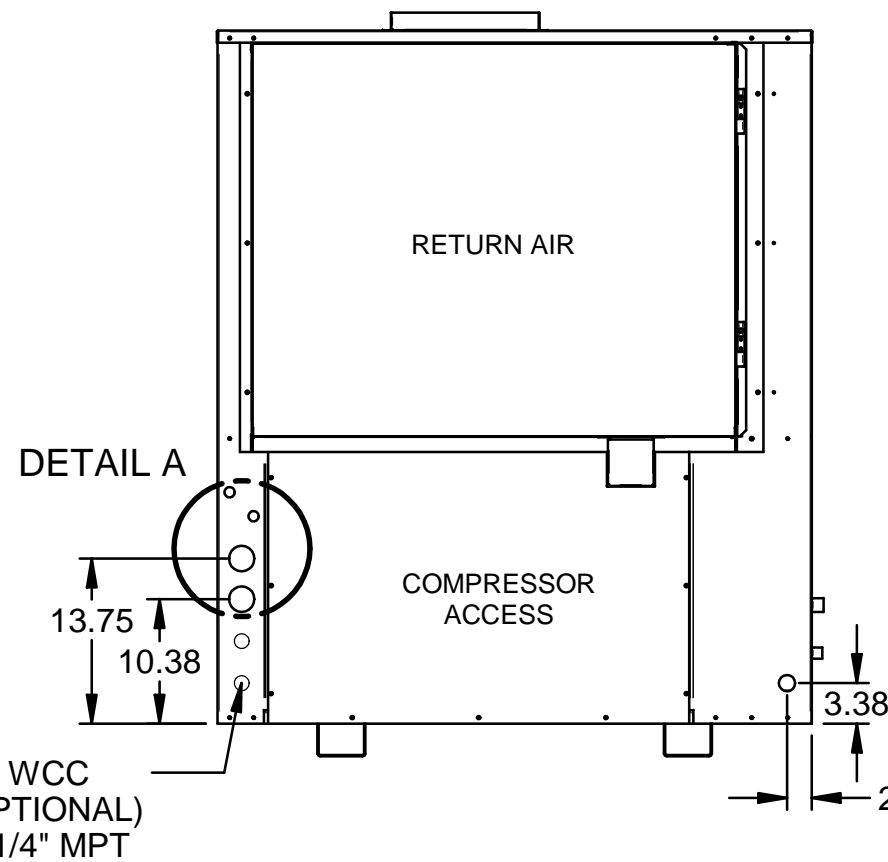
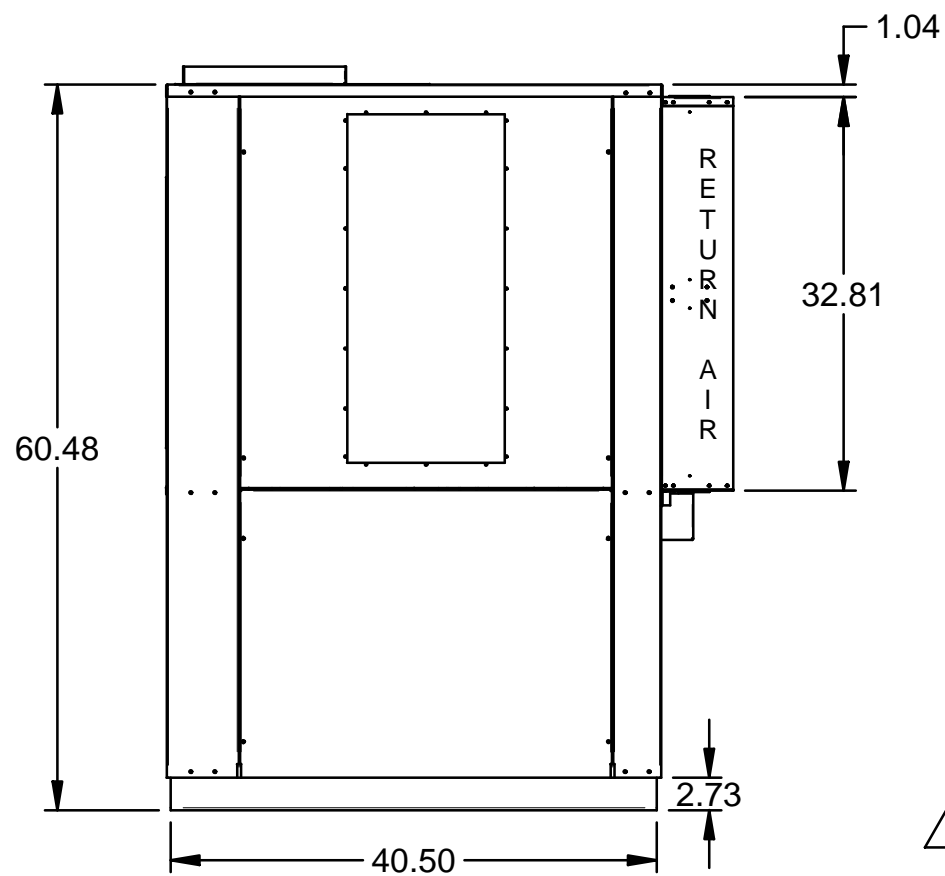
DIMENSIONS ARE IN 'INCHES'  
 WEIGHTS ARE IN 'POUNDS'

POOLPAK INTERNATIONAL		YORK, PA	
DESCR: DIAGRAM, AWV/HCDV-2600 (VERTICAL) R410A			
TITLE BLOCK FOR INTERNAL USE ONLY			2 OF 8
<b>**ESTIMATED WEIGHTS**</b>			
	2600		
AWV	1090	UNIT(S) USED: AWV/HCDV-2600	
HCDV	1050	FILE: 5600003.dft	
DATE: 8/12/2009		DR: dhenry	CHK: [ ]
		REV: B	PART NO. 560-0003D

B

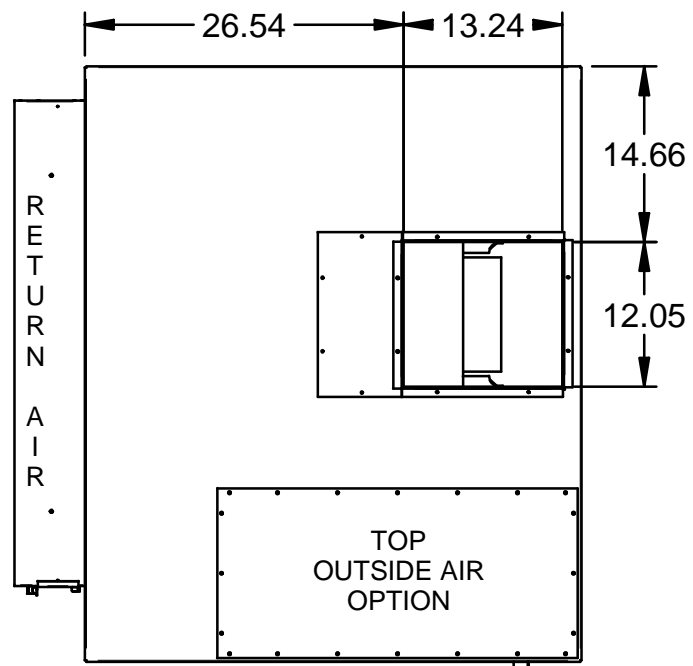


ISOMETRIC VIEW

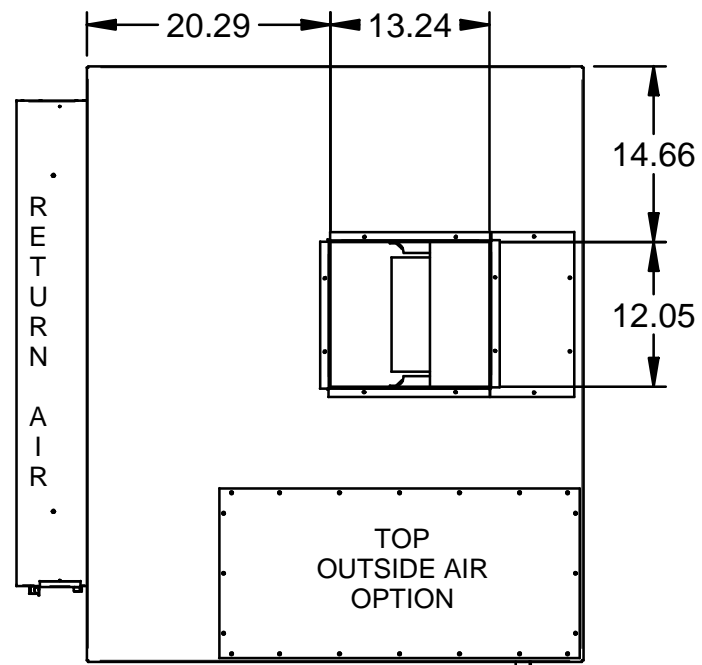


DIMENSIONS ARE IN 'INCHES'  
WEIGHTS ARE IN 'POUNDS'

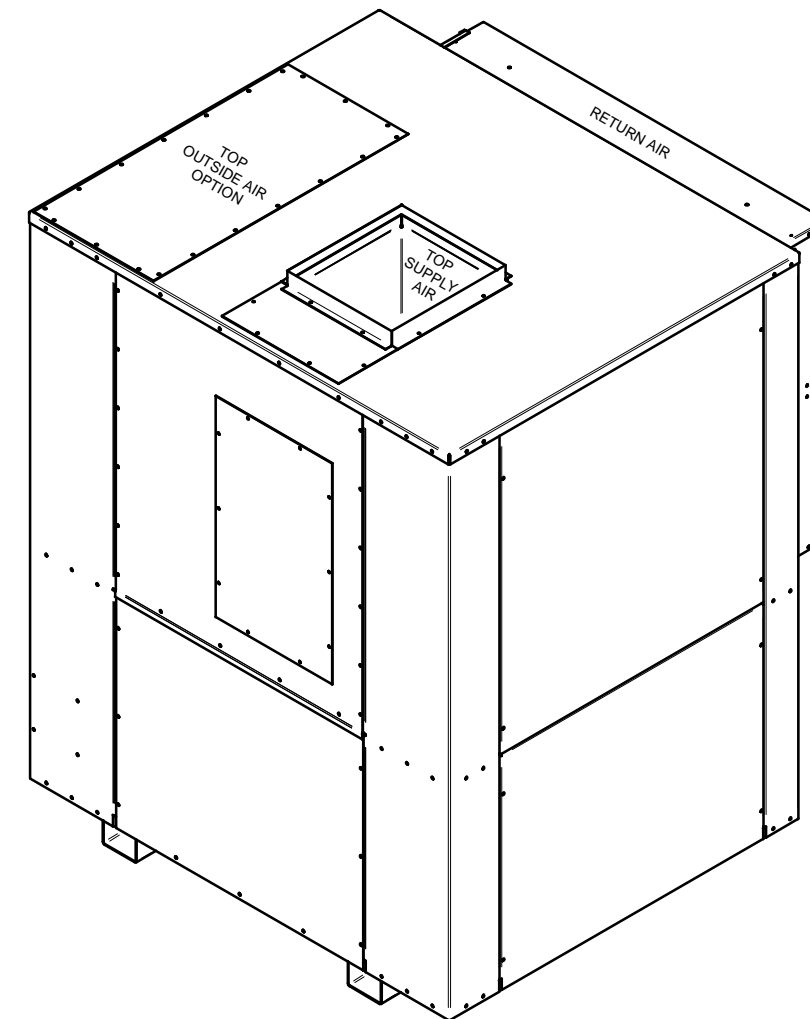
POOLPAK INTERNATIONAL		YORK, PA	
DESCR: DIAGRAM, AWW/HCDV-2600 (VERTICAL) R410A			
TITLE BLOCK FOR INTERNAL USE ONLY			3 OF 8
<b>**ESTIMATED WEIGHTS**</b>			
	2600	UNIT(S) USED: AWW/HCDV-2600	
FILE: 5600003.dft			
AWV	1090	DR: dhenry	CHK:
HCDV	1050	DATE: 8/12/2009	REV. <b>B</b>
			PART NO. 560-0003D



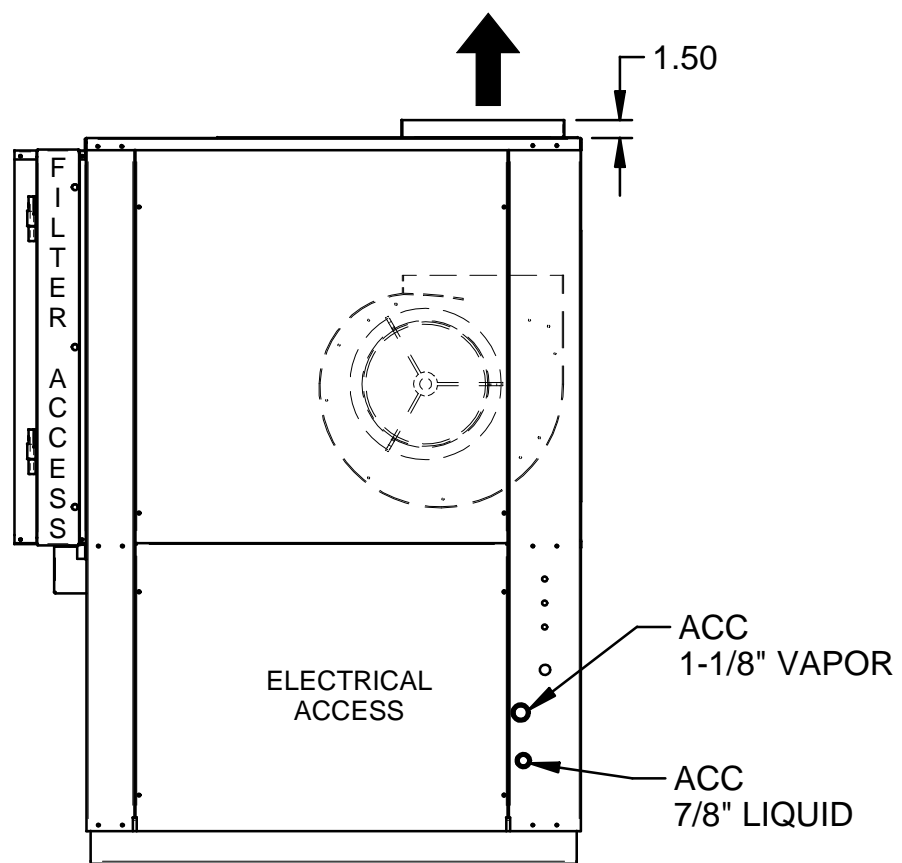
TOP SUPPLY - (12X9 CCW) - (SA-TL08)



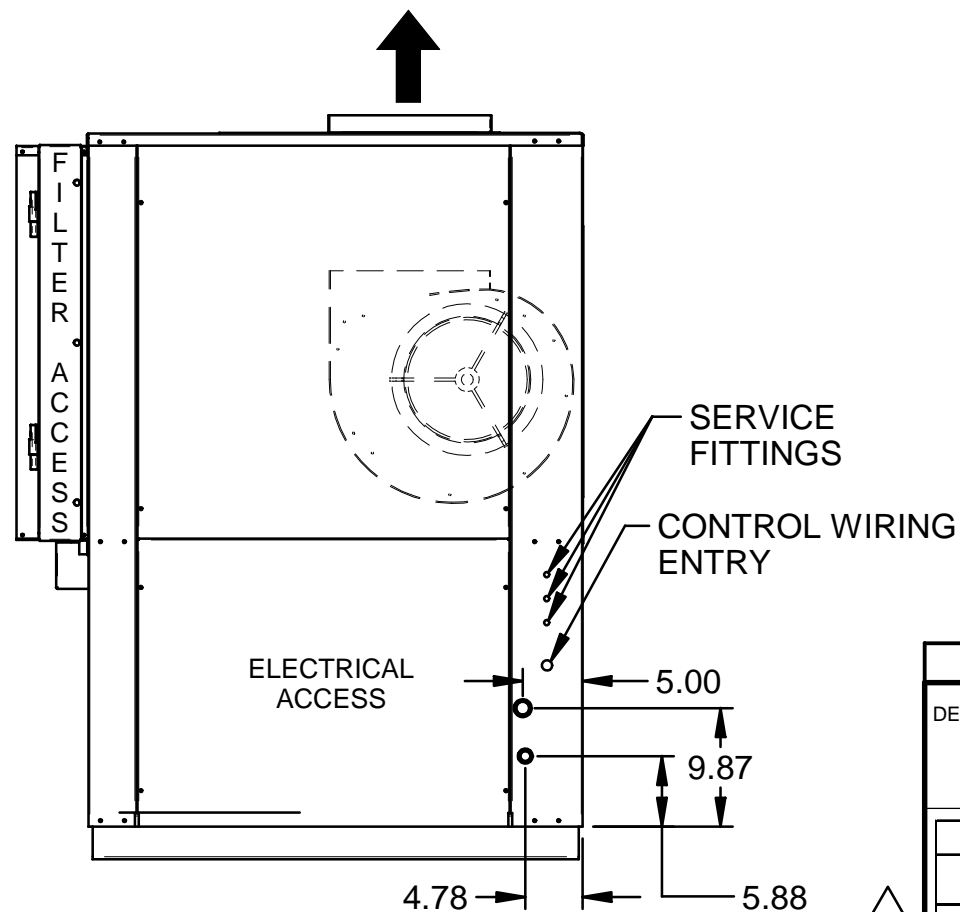
TOP SUPPLY - (12X9 CW) - (SA-TL07)



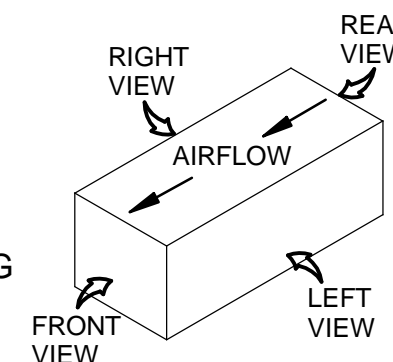
ISOMETRIC VIEW



TOP SUPPLY - (12X9 CCW) - (SA-TL08)



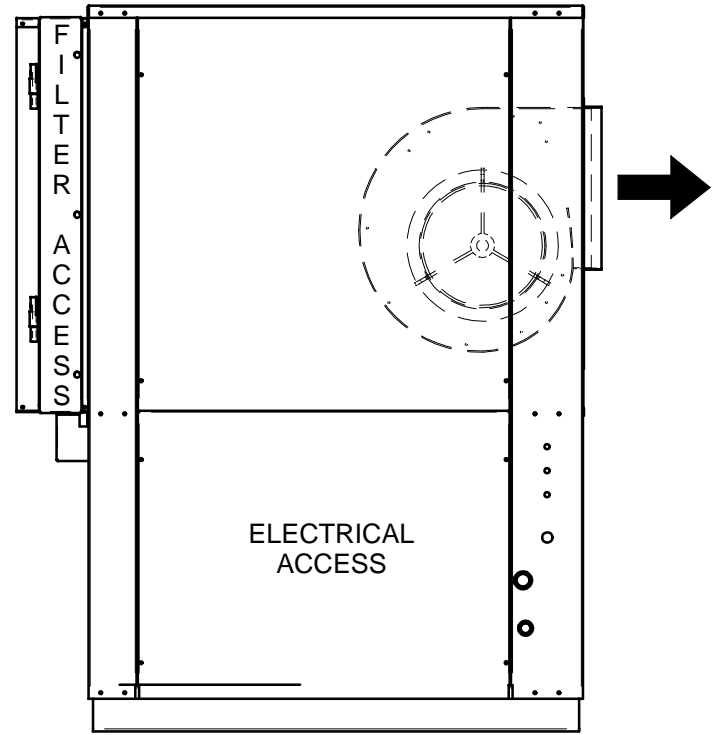
TOP SUPPLY - (12X9 CW) - (SA-TL07)



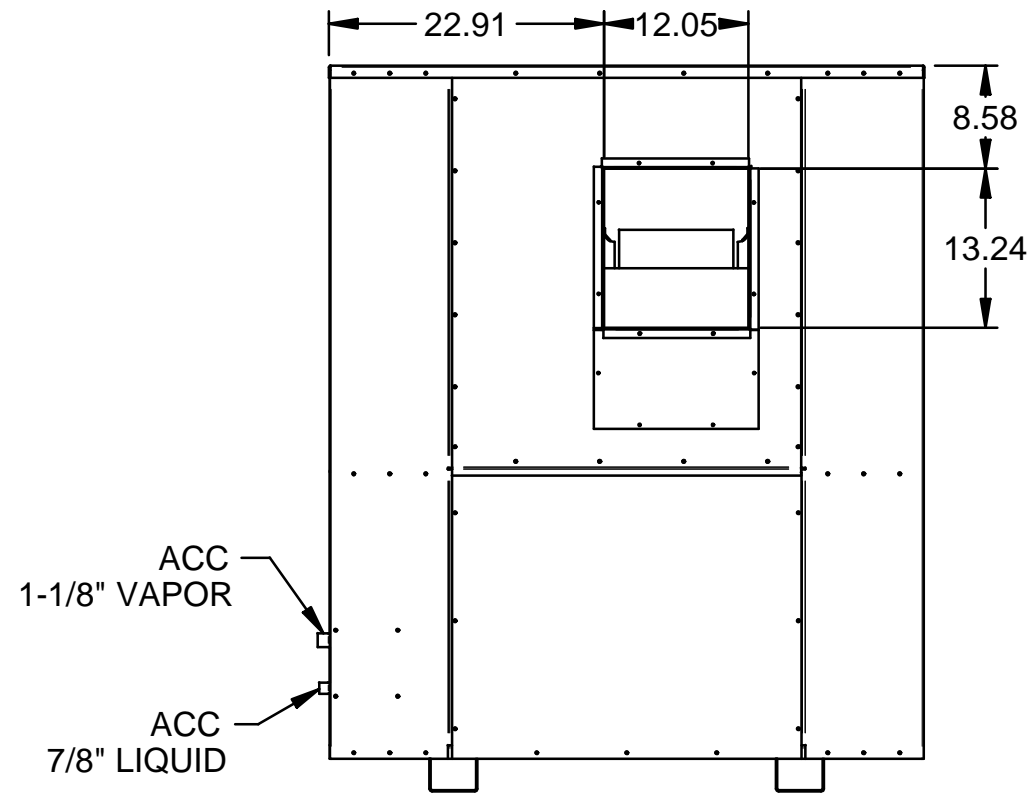
DIMENSIONS ARE IN 'INCHES'  
WEIGHTS ARE IN 'POUNDS'

POOLPAK INTERNATIONAL		YORK, PA	
DESCR: DIAGRAM, AWW/HCDV-2600 (VERTICAL) R410A			
TITLE BLOCK FOR INTERNAL USE ONLY			4 OF 8
<b>**ESTIMATED WEIGHTS**</b>			
	2600		
AWV	1090		
HCDV	1050		
UNIT(S) USED: AWW/HCDV-2600		FILE: 5600003.dft	
DR: dhenry	CHK:	REV. B	PART NO. 560-0003D
DATE: 8/12/2009			

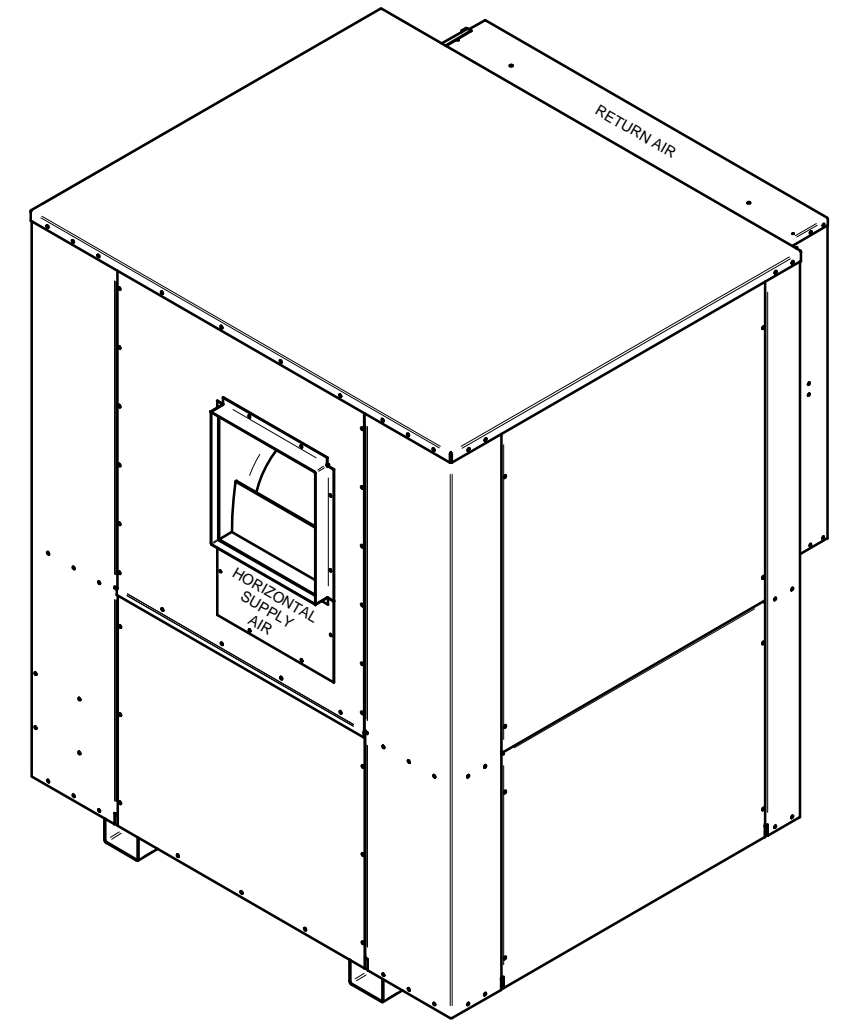
B



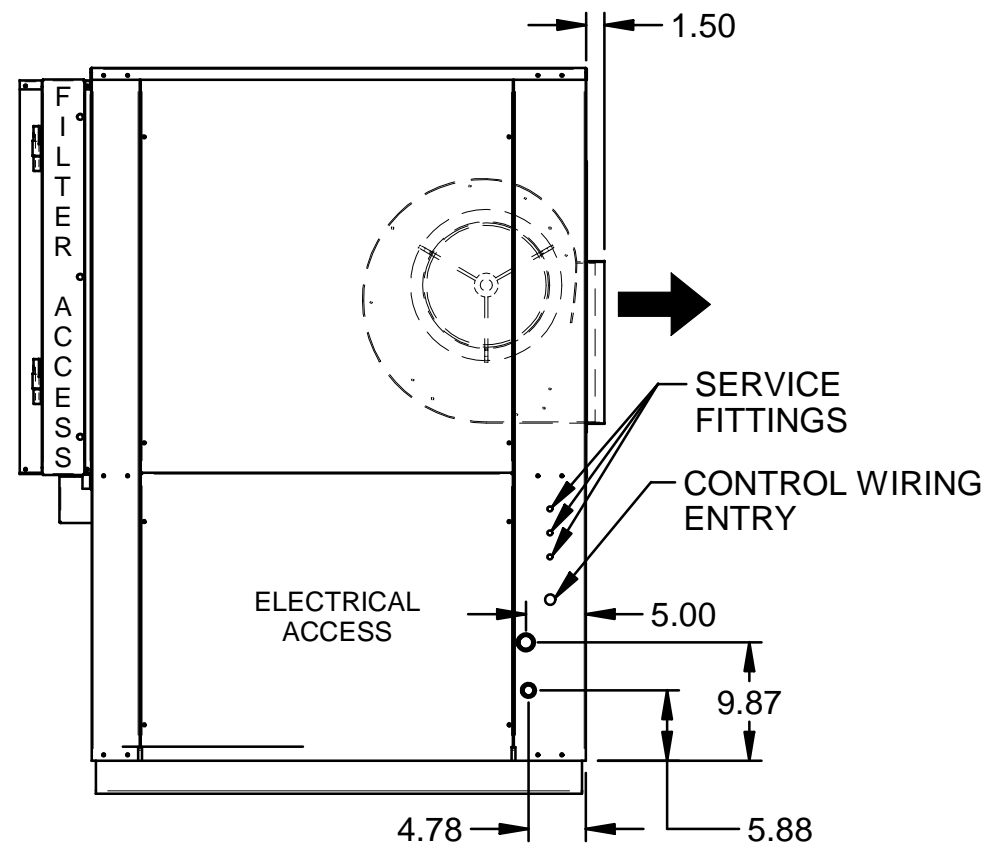
FRONT SUPPLY - (12X9 CW) - (SA-FL01)



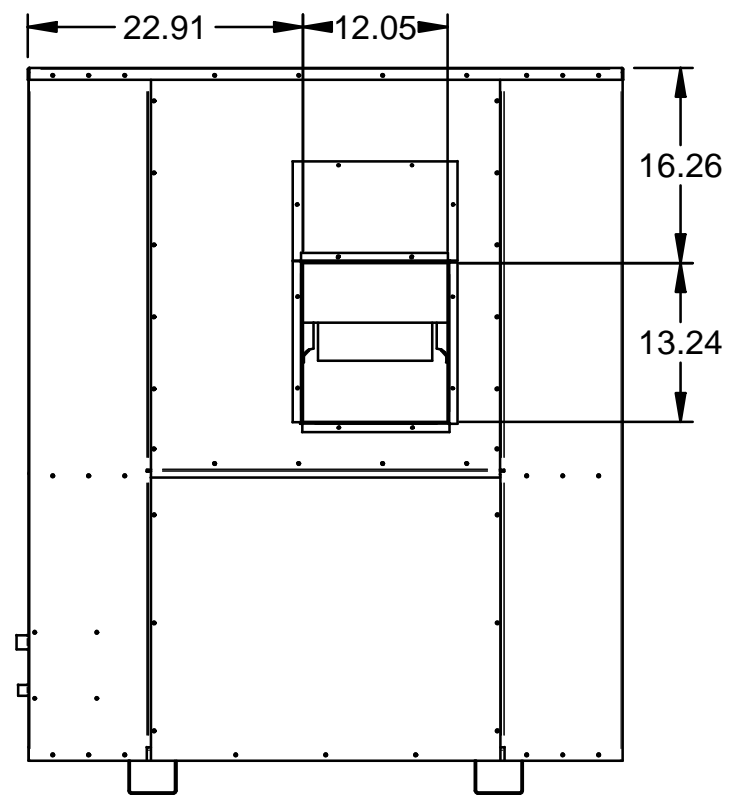
FRONT SUPPLY - (12X9 CW) - (SA-FL01)



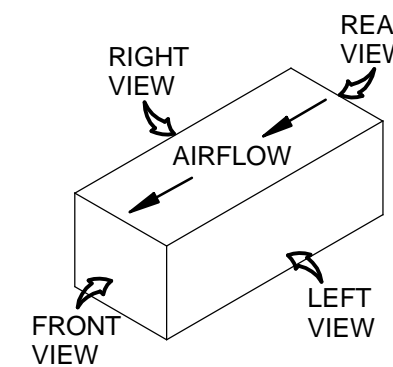
ISOMETRIC VIEW



FRONT SUPPLY - (12X9 CW) - (SA-FL02)



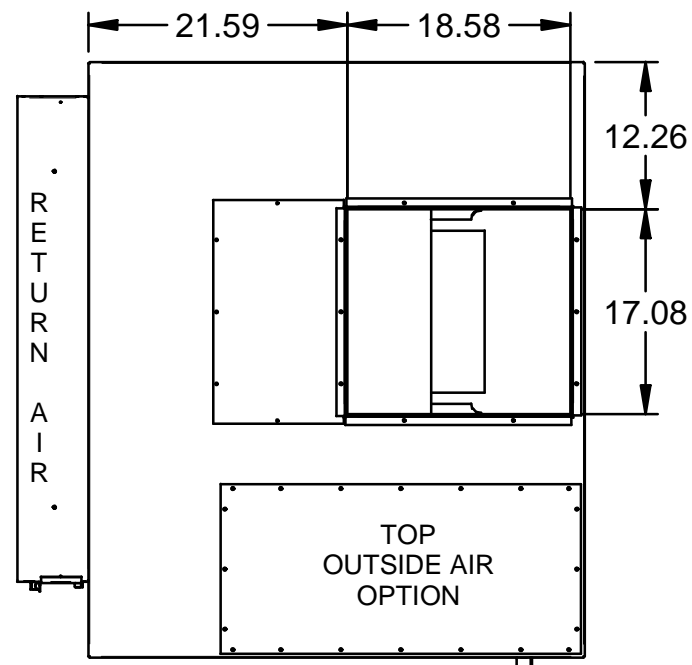
FRONT SUPPLY - (12X9 CW) - (SA-FL02)



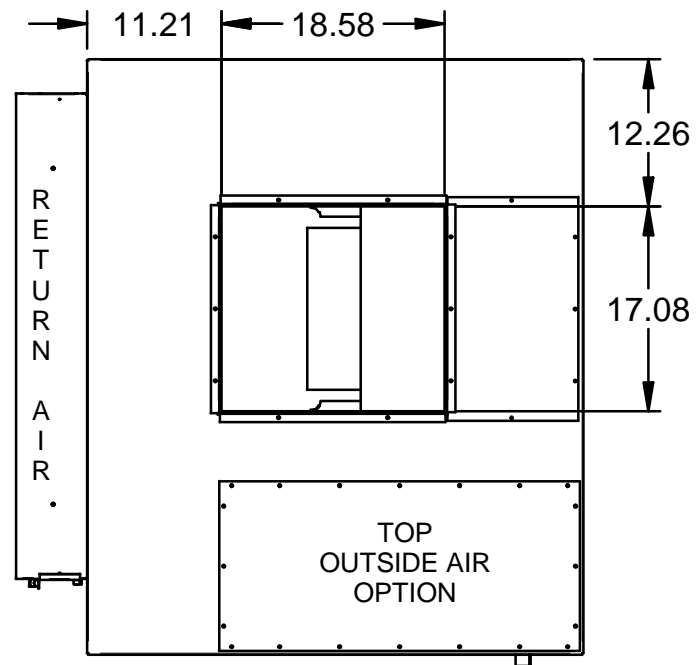
DIMENSIONS ARE IN 'INCHES'  
WEIGHTS ARE IN 'POUNDS'

POOLPAK INTERNATIONAL		YORK, PA	
DESCR: DIAGRAM, AWW/HCDV-2600 (VERTICAL) R410A			
TITLE BLOCK FOR INTERNAL USE ONLY			5 OF 8
<b>**ESTIMATED WEIGHTS**</b>			
	2600		
AWV	1090		
HCDV	1050		
UNIT(S) USED: AWW/HCDV-2600		FILE: 5600003.dft	
DR: dhenry	CHK:	REV. B	PART NO. 560-0003D
DATE: 8/12/2009			

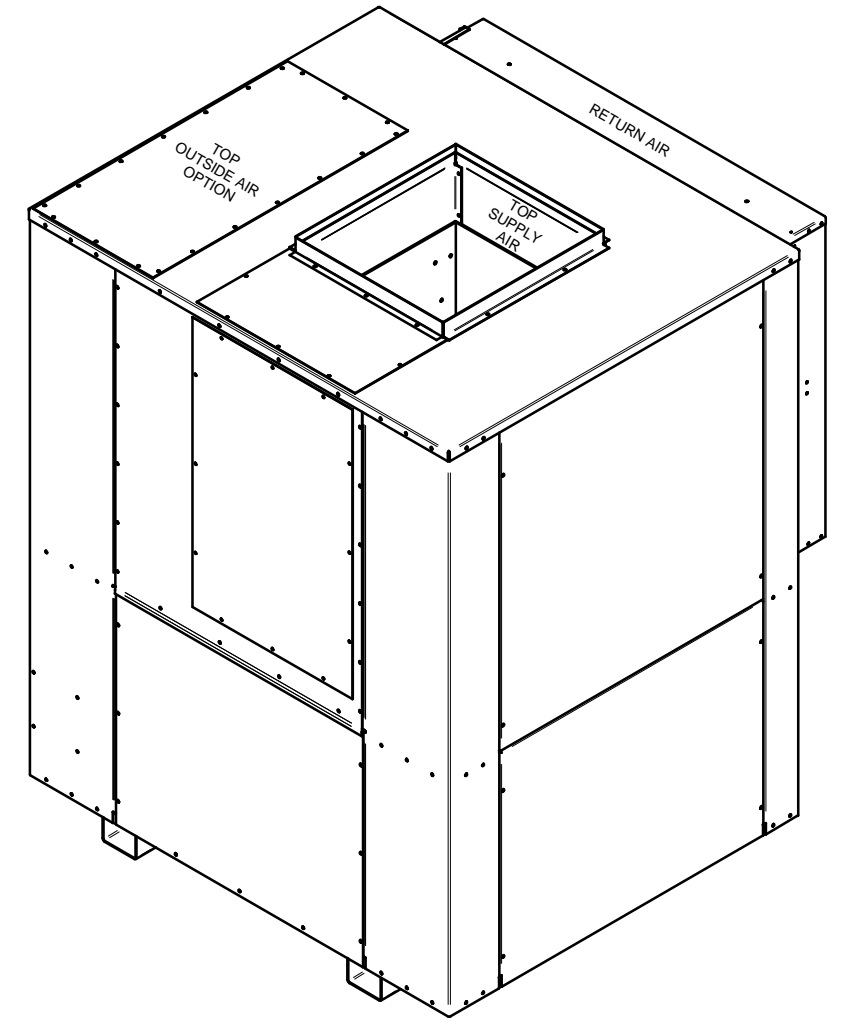
B



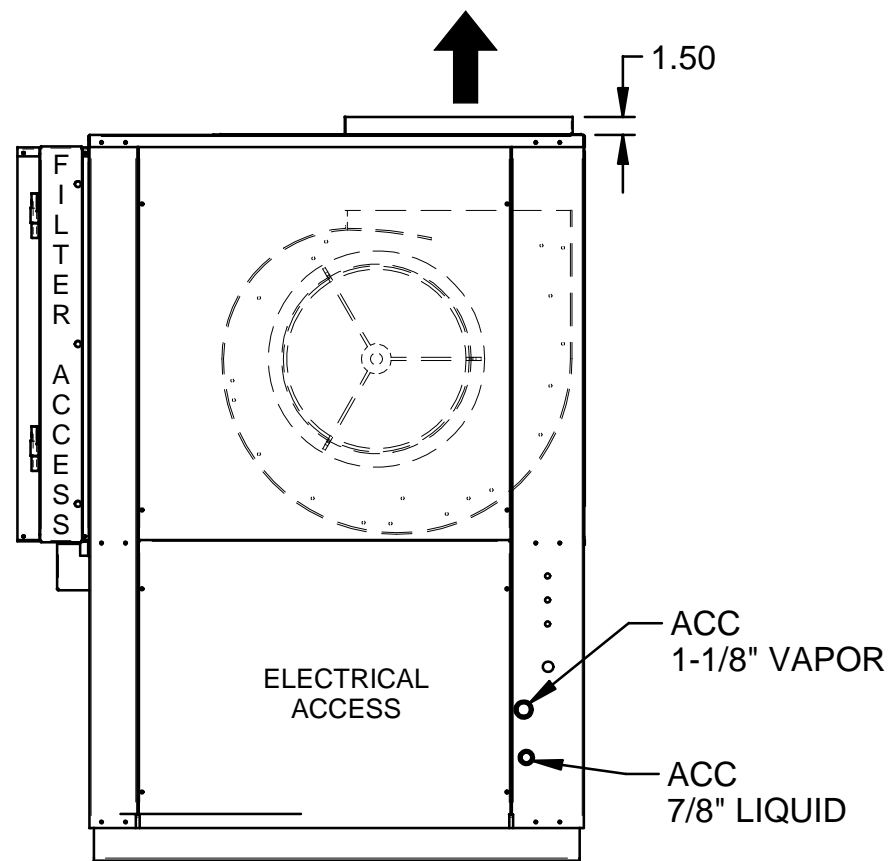
TOP SUPPLY - (18X13 CCW) - (SA-TL08)



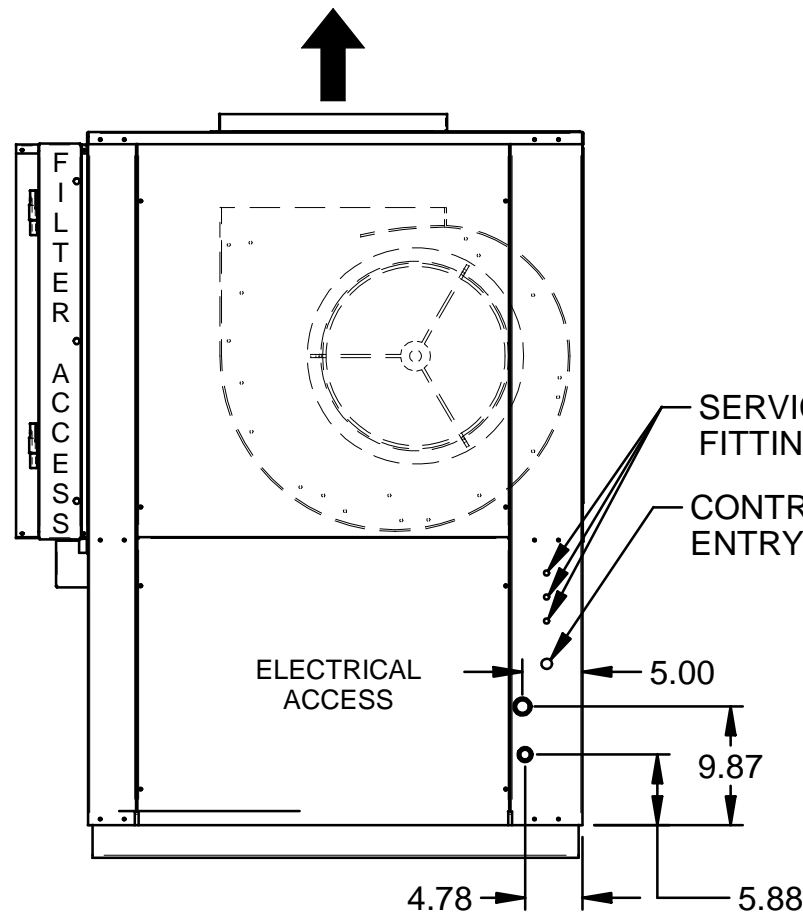
TOP SUPPLY - (18X13 CW) - (SA-TL07)



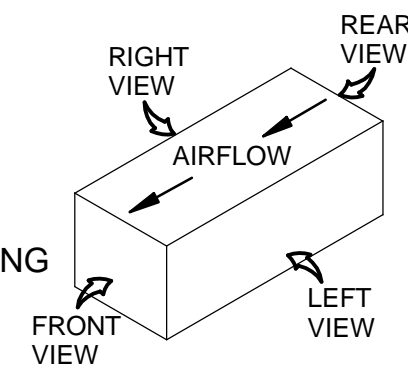
ISOMETRIC VIEW



TOP SUPPLY - (18X13 CCW) - (SA-TL08)

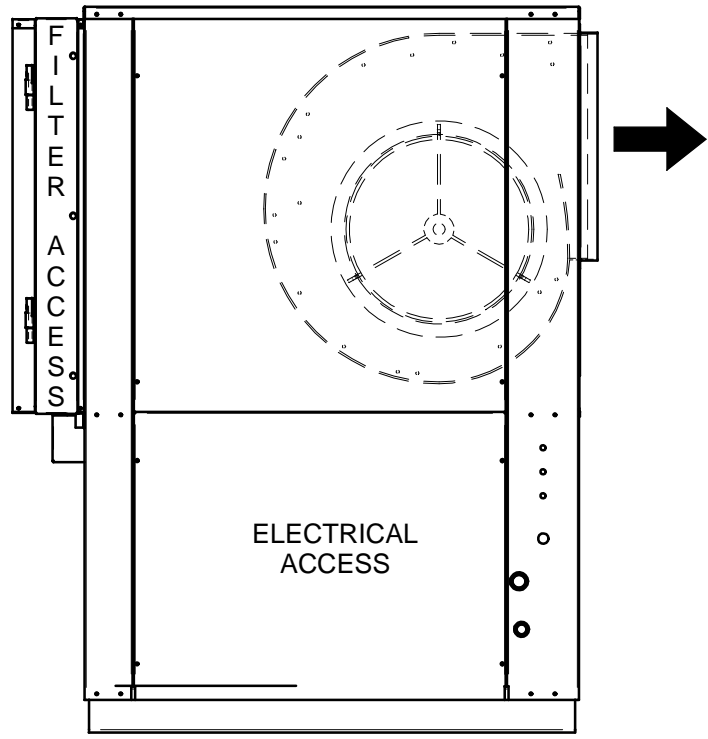


TOP SUPPLY - (18X13 CW) - (SA-TL07)

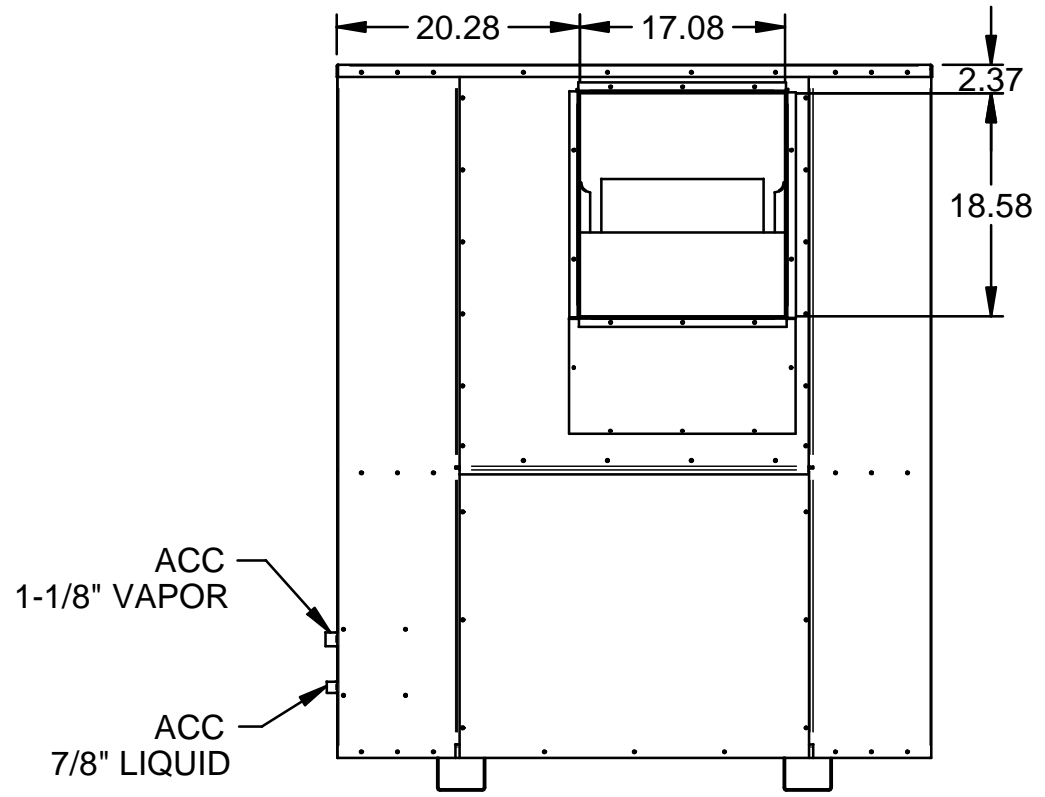


DIMENSIONS ARE IN 'INCHES'  
WEIGHTS ARE IN 'POUNDS'

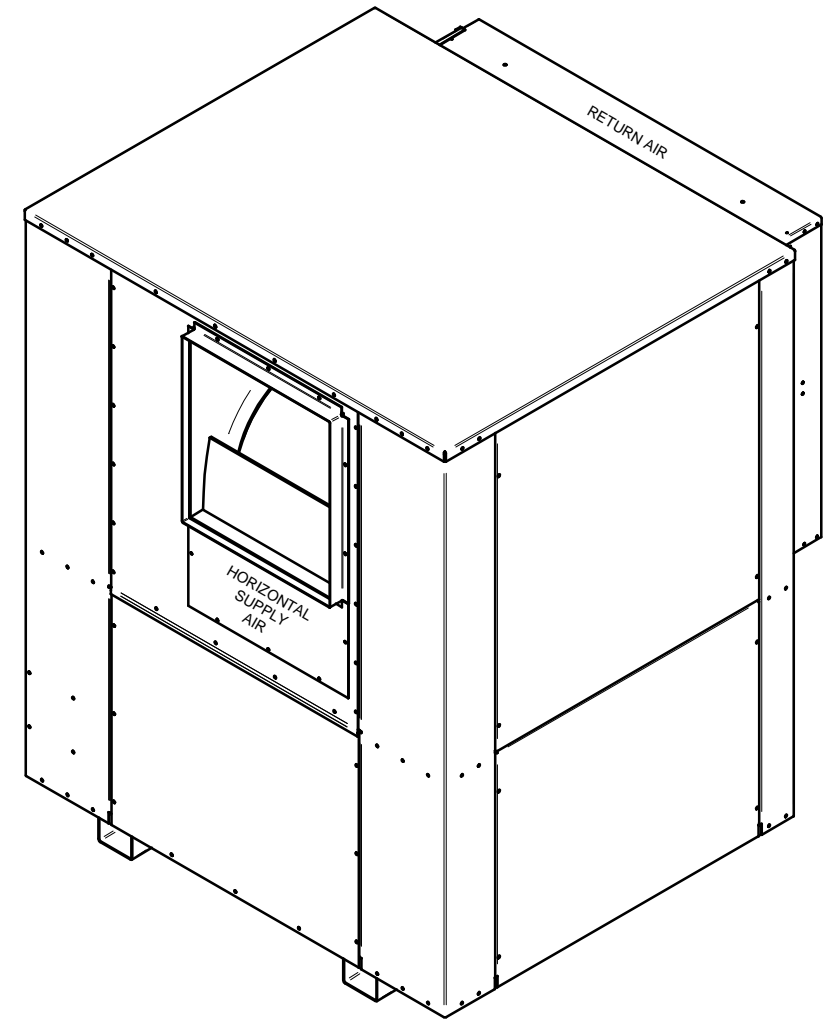
POOLPAK INTERNATIONAL		YORK, PA	
DESCR: DIAGRAM, AWV/HCDV-2600 (VERTICAL) R410A			
TITLE BLOCK FOR INTERNAL USE ONLY			6 OF 8
<b>**ESTIMATED WEIGHTS**</b>		UNIT(S) USED: AWV/HCDV-2600	
	2600	FILE: 5600003.dft	
AWV	1090	DR: dhenry	CHK:
HCDV	1050	DATE: 8/12/2009	REV. <b>B</b>
			PART NO. 560-0003D



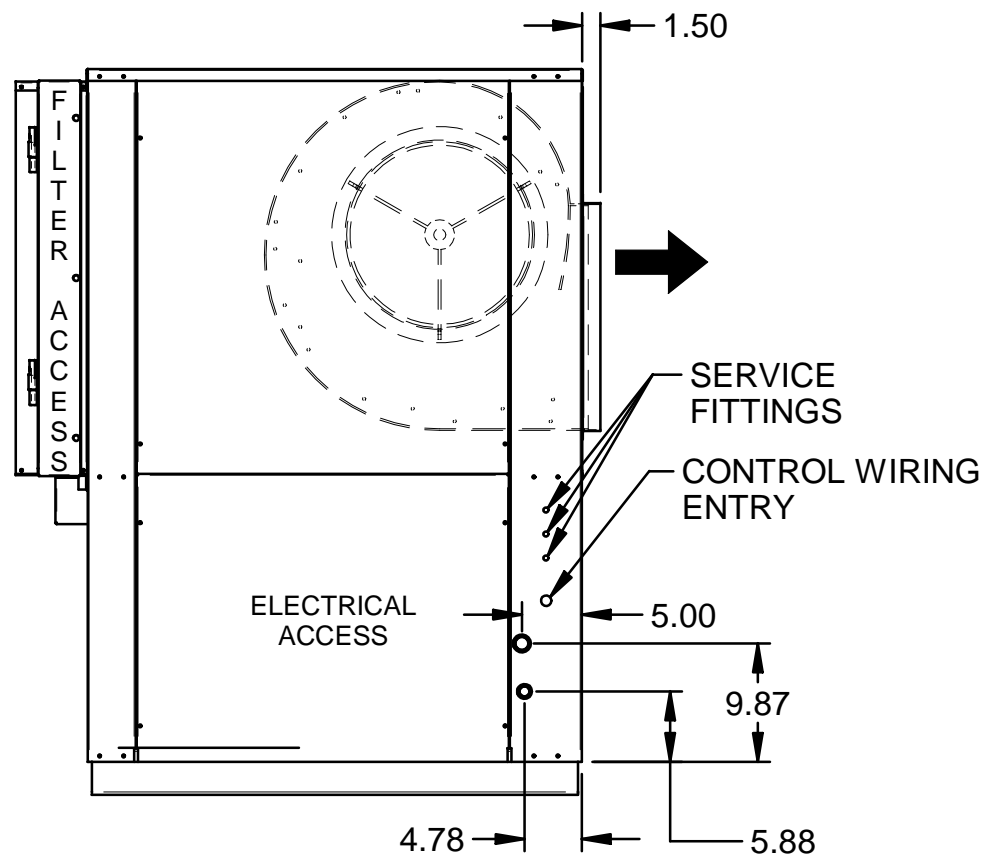
FRONT SUPPLY - (18X13 CW) - (SA-FL01)



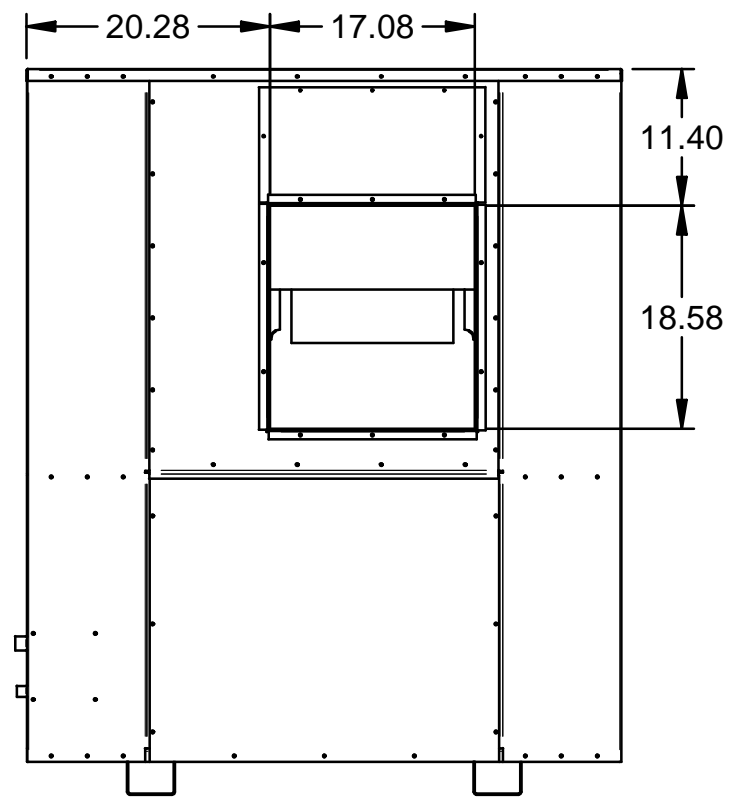
FRONT SUPPLY - (18X13 CW) - (SA-FL01)



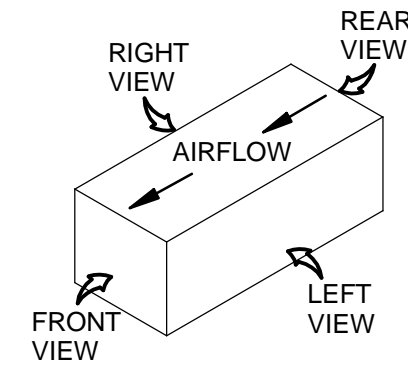
ISOMETRIC VIEW



FRONT SUPPLY - (18X13 CCW) - (SA-FL02)



FRONT SUPPLY - (18X13 CCW) - (SA-FL02)



DIMENSIONS ARE IN 'INCHES'  
WEIGHTS ARE IN 'POUNDS'

POOLPAK INTERNATIONAL		YORK, PA	
DESCR: DIAGRAM, AWW/HCDV-2600 (VERTICAL) R410A			
TITLE BLOCK FOR INTERNAL USE ONLY			7 OF 8
<b>**ESTIMATED WEIGHTS**</b>			
	2600		
AWV	1090		
HCDV	1050		
UNIT(S) USED: AWW/HCDV-2600		FILE: 5600003.dft	
DR: dhenry	CHK:	REV. B	PART NO. 560-0003D
DATE: 8/12/2009			